

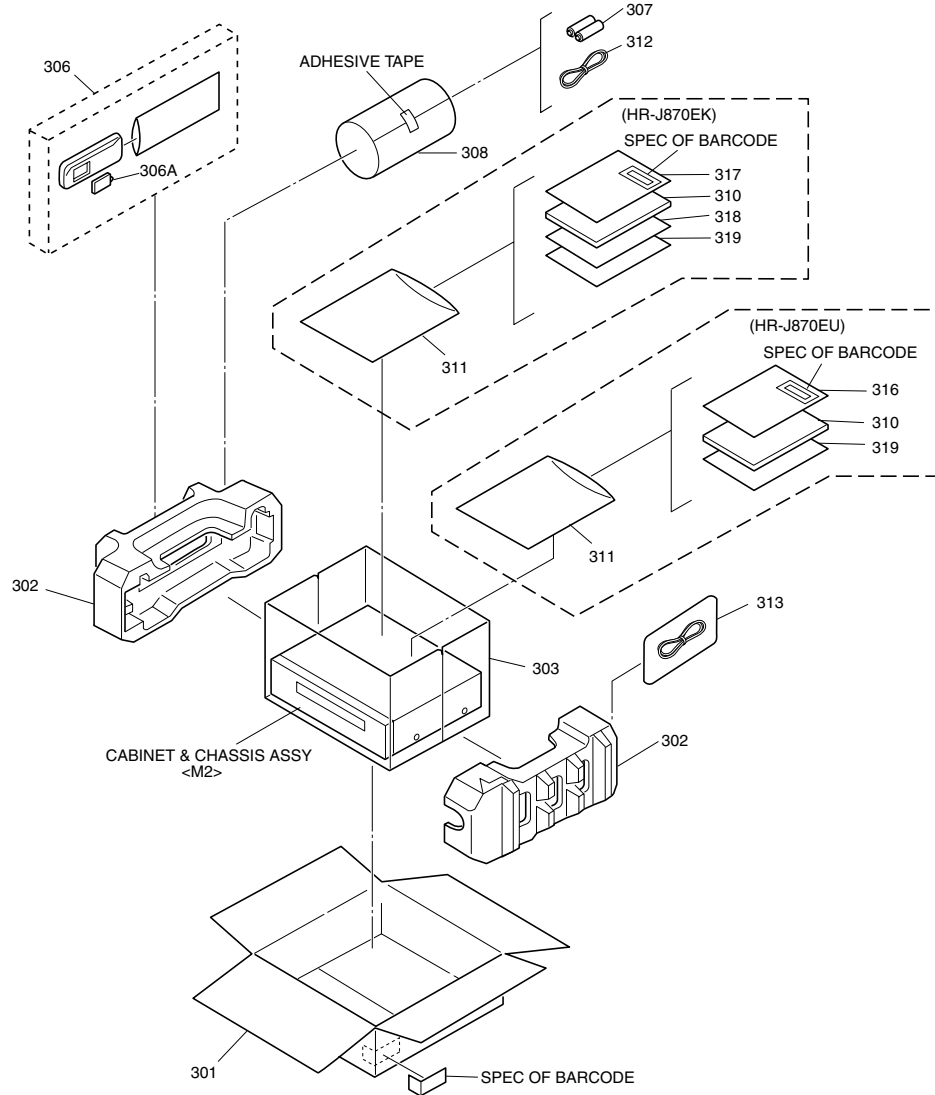
SECTION 5 PARTS LIST

SAFETY PRECAUTION

Parts identified by the \triangle symbol are critical for safety. Replace only with specified part numbers.

5.1 PACKING AND ACCESSORY ASSEMBLY <M1>

The instruction manual to be provided with this product will differ according to the destination.



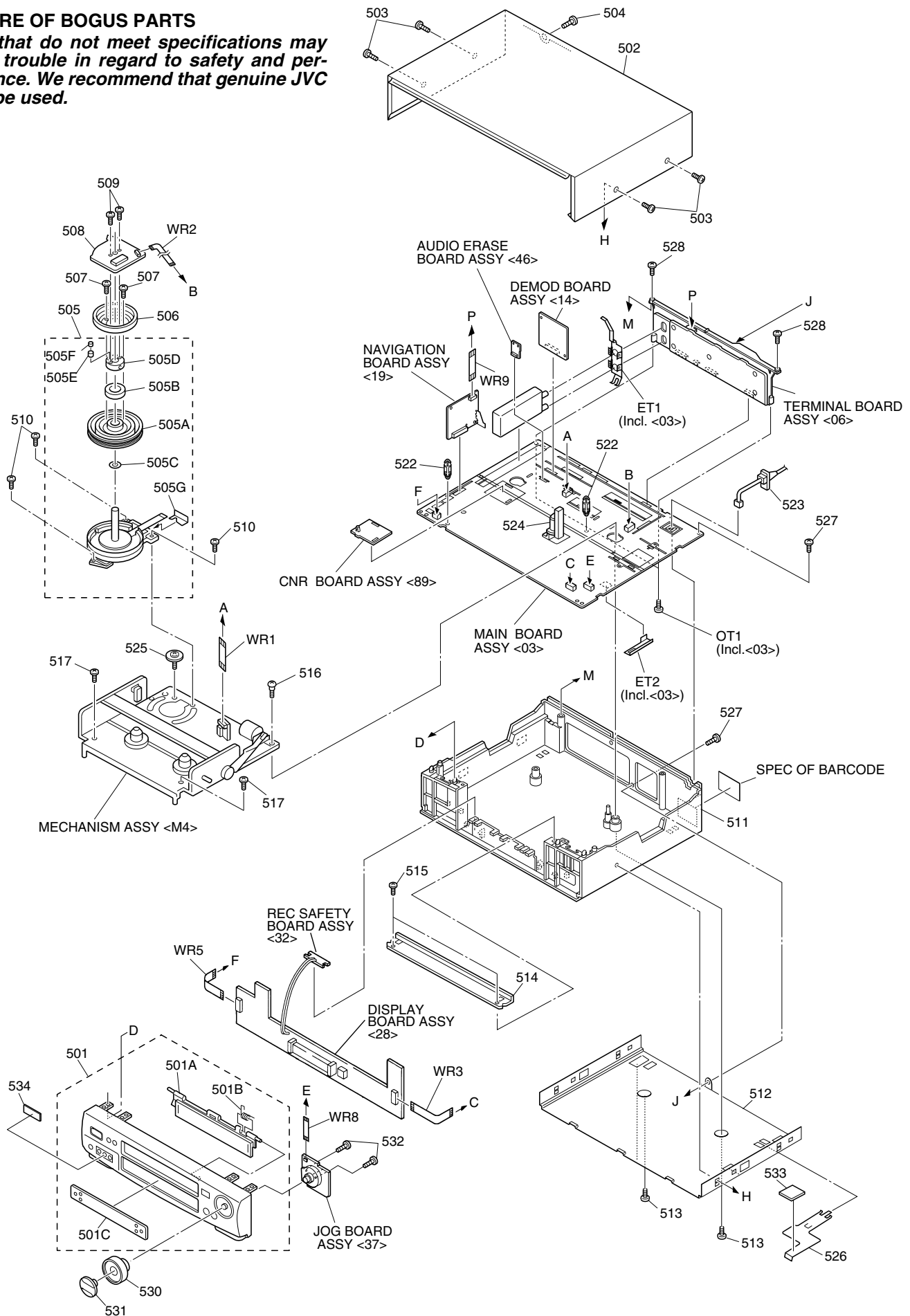
# \triangle	REF No.	PART No.	PART NAME, DESCRIPTION	# \triangle	REF No.	PART No.	PART NAME, DESCRIPTION

PACKING AND ACCESSORY ASSEMBLY <M1>							
		301	LP30711-001B				
		302	LP30606-002C				
		303	PQM30021-95				
		306	LP20667-008B				
		306A	LP40225-002A				
		307	-				
		308	QPC02202230P				
\triangle	310	LPT0316-001A	INST.BOOK(EN),J870EK	\triangle		LPT0324-007A	INST BOOK(DA),J870EU
\triangle		LPT0324-001A	INST BOOK(EN),J870EU	\triangle		LPT0324-008A	INST BOOK(FI),J870EU
\triangle		LPT0324-002A	INST BOOK(GE),J870EU	\triangle		LPT0324-009A	INST BOOK(SW),J870EU
\triangle		LPT0324-003A	INST BOOK(FR),J870EU	\triangle		LPT0324-010A	INST BOOK(NO),J870EU
\triangle		LPT0324-004A	INST BOOK(DU),J870EU	\triangle		LPT0324-011A	INST BOOK(PT),J870EU
\triangle		LPT0324-005A	INST BOOK(SP),J870EU	\triangle		LPT0324-012A	INST BOOK(GR),J870EU
\triangle		LPT0324-006A	INST BOOK(IT),J870EU	\triangle		LPT0324-013A	INST BOOK(CZ),J870EU
				\triangle		LPT0324-014A	INST BOOK(PO),J870EU
				\triangle		LPT0324-015A	INST BOOK(HU),J870EU
				\triangle		LPT0324-016A	INST BOOK(RU),J870EU
					311	QPC02503530P	POLY BAG
					312	PEAC0300-02	RF CABLE
					313	QAL0095-005	LED CABLE ASSY(Satellite Controller)
					316	BT-54013-1	WARRANTY CARD,J870EU
					317	BT-54008-2	GUARANTY CARD,J870EK
					318	LYT0194-001A	Q.CARD(JUK),J870EK
					319	LP40605-001A	SHEET

5.2 CABINET AND CHASSIS ASSEMBLY <M2>

BEWARE OF BOGUS PARTS

Parts that do not meet specifications may cause trouble in regard to safety and performance. We recommend that genuine JVC parts be used.



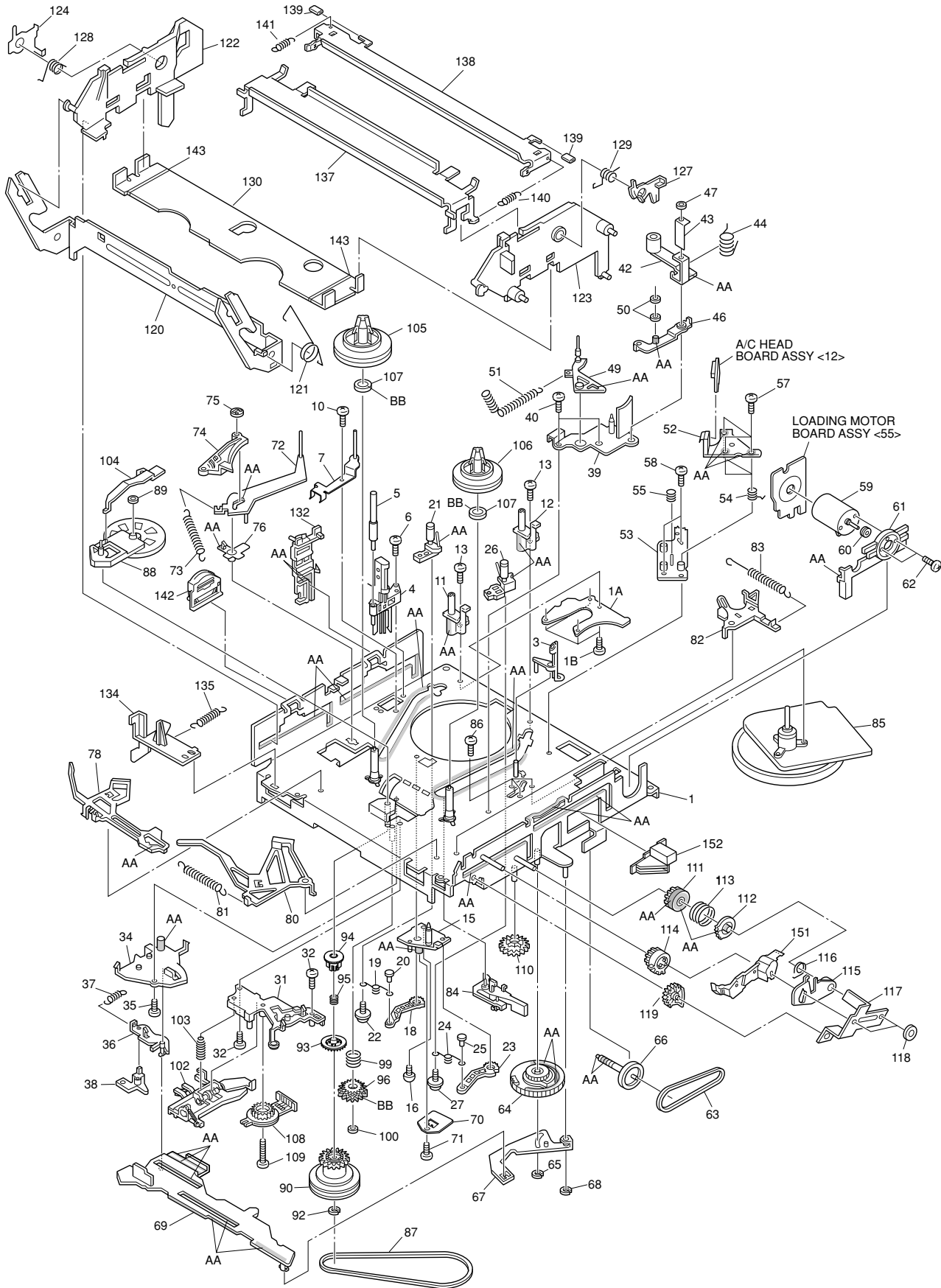
▲ REF No. PART No. PART NAME, DESCRIPTION

▲ REF No. PART No. PART NAME, DESCRIPTION

CABINET AND CHASSIS ASSEMBLY <M2>

▲	501	LP10217-038B	FRONT PANEL ASSY,J870EK
▲		LP10217-037B	FRONT PANEL ASSY,J870EU
	501A	LP20342-049A	CASSETTE DOOR
	501B	PQ46448	TORSION SPRING
	501C	LP30531-031A	DISPLAY WINDOW,J870EU
		LP30531-032A	DISPLAY WINDOW,J870EK
▲	502	PQ11676-89	TOP COVER
	503	QYTDSF3010M	SCREW,X4 TOP COVER(SIDE)
	504	QYTDSF3010M	SCREW,TOP COVER(REAR)
	505	LP20617-015A	DRUM SUB ASSY
	505A	LP20616-009A	UPPER DRUM ASSY
	505B	PDM4439	CAP
	505C	PDM4444-19-2	WASHER
	505D	LP40572-001A	COLLAR ASSY
	505E	LP40323-001A	CONTACT
	505F	LP30004-014A	COMPRESION SPRING
	505G	LP40174-001B	FPC PLATE
	506	PDZ0179-1-4	ROTOR ASSY
	507	QYSPSP3006Z	SCREW,X2
▲	508	QAR0119-001	STATOR ASSY
	509	QYSPSPH2606Z	SCREW,X2
	510	QYTDST2610Z	SCREW,X3 DRUM
▲	511	LP10116-003J	BOTTOM CHASSIS
▲	512	PQ11668-2-12	BOTTOM COVER
	513	QYTDSF3010Z	SCREW,X2 BOTTOM COVER
	514	LP30312-001B	BRACKET(CHASSIS)
	515	QYTDSF3010Z	SCREW,X2
	516	LP40700-001A	SPECIAL SCREW,MECHA
	517	QYTDSF3010Z	SCREW,X2 MECHA
	522	LP40226-001A	PC SUPPORT,X2
▲	523	QMP51K0-170-K	POWER CORD,J870EK
▲		QMP4A10-170	POWER CORD,J870EU
	524	LP40253-001B	STOPPER
	525	PQ40413	SPECIAL SCREW,MECHA
	526	LP40659-001A	EARTH PLATE(2)
	527	QYTDSF3010M	SCREW,TERMINAL
	528	QYTPSFG3010Z	SCREW,X2 TERMINAL
	530	LP30695-004A	KNOB(SHUTTLE)
	531	LP30694-004A	KNOB(JOG)
	532	QYTDSF2608Z	SCREW,X2
	533	LP30002-092A	SPACER
	534	LP30532-002A	CAP(JACK)
	WR1	QUQ112-0720CG	FFC WIRE,A/C HEAD CN2001
	WR2	QUQ212-0518CG	FFC WIRE,DRUM CN3001
	WR3	QUQ112-1414CG	FFC WIRE,DISPLAY CN3011
	WR5	QUQ212-0516CG	FFC WIRE,JACK CN902
	WR8	QUQ112-0616CG	FFC WIRE,JOG(FSA) CN3012
	WR9	QUQ112-0826CG	FFC WIRE,NAVIGATION CN912

5.3 MECHANISM ASSEMBLY <M4>



Classification	Part No.	Symbol in drawing
Grease	KYODO-SH-P	AA
Oil	COSMO-HV56	BB

NOTE:The section marked in **AA** and **BB** indicate lubrication and greasing areas.

#	△	REF No.	PART No.	PART NAME, DESCRIPTION	#	△	REF No.	PART No.	PART NAME, DESCRIPTION

MECHANISM ASSEMBLY <M4>									
1			LP20821-002F	MAIN DECK ASSY	73			LP30003-010A	TENSION SPRING
1A			LP40275-004B	PLATE(SUPPLY)	74			LP40109-003D	TENSION BRAKE ASSY
1B			QYTDST2605Z	SCREW	75			PQ46302-1-3	ADJUST PIN
3			LP30492-002B	GIDE POLE GUARD	76			LP30232-002A	TENSION ARM BEARING
4			NAH0001-001	FULL ERASE HEAD	78			LP40532-009A	MAIN BRAKE ASSY (SUPPLY)
5			LP40098-001B	GUIDE POLE(SUPPLY)	80			LP40111-014A	MAIN BRAKE AY (TAKE UP)
6			QYTDST2608Z	SCREW	81			LP30003-029A	TENSION SPRING
7			LP40637-002A	TENSION STUD BASE ASSY	82			LP40112-001F	SUB BRAKE ASSY(TAKE UP)
10			QYTDST2606Z	SCREW	83			LP40357-001B	TENSION SPRING
11			LP30409-002C	UV CATCHER 2	84			LP40461-001A	CAPSTAN BRAKE ASSY
12			LP30409-002C	UV CATCHER 2	85			QAR0132-001	CAPSTAN MOTOR
13			QYTPST2606Z	SCREW,X2	86			QYTDSF2606M	SCREW,X3
15			LP30223-003C	LOADING ARM GEAR SHAFT	87			LP30005-008A	BELT,CAPSTAN MOTOR
16			QYTDST2606Z	SCREW	88			LP40114-011A	IDLER ARM ASSY
18			LP30224-001A	LOADING ARM GEAR(SUPPLY)	89			LP30016-001A	SLIT WASHER
19			LP40099-001A	TORSION ARM	90			LP40593-003B	CLUTCH UNIT 3
20			LP40100-001A	PIN	92			PQM30017-47	SLIT WASHER
21			LP40101-006A	POLE BASE ASSY(SUPPLY)	93			LP30696-002A	CLUTCH GEAR 4
22			QYSPSTG2606Z	SCREW	94			LP30697-003A	COUPLING GEAR
23			LP40103-002B	LOADING ARM GEAR(TAKE UP)	95			LP40554-002A	COMPRESSION SPRING
24			LP40099-001A	TORSION ARM	96			LP40442-001A	DIRECT GEAR
25			LP40100-001A	PIN	99			LP40483-002A	COMPRESSION SPRING
26			LP40104-006A	POLE BASE ASSY(TAKE UP)	100			LP30016-001A	SLIT WASHER
27			QYSPSTG2606Z	SCREW	102			LP40484-003B	CHANGE LEV.ASSY
31			LP20233-004B	ROTARY ENCODER GUIDE	103			LP40512-002B	COMPRESSION SPRING
32			QYTPST2606Z	SCREW	104			LP30236-002B	IDLER LEVER
34			LP30226-004D	CONTROL PLATE GUIDE	105			LP20237-003B	REEL DISK (SUPPLY)
35			QYTPST2605Z	SCREW	106			LP20238-003B	REEL DISK (TAKE UP)
36			LP30249-003B	TAKE UP LEVER	107			LP30017-015A	SPACER,X2
37			LP30003-006A	TENSION SPRING	108			QSW0554-003	ROTARY ENCODER
38			LP40119-002A	T.UP HEAD	109			QYTPST2620Z	SCREW
39			LP20234-004B	LID GUIDE	110			LP30237-002B	CASSETTE GEAR
40			QYTDST2606Z	SCREW,X2	111			LP30239-002G	LIMIT GEAR(1)
42			LP40105-001B	PINCH ROLLER ARM ASSY	112			LP30240-002G	LIMIT GEAR(2)
43			LP40478-001A	PINCH ROLLER SHEET2	113			LP40136-001E	TORSION SPRING
44			LP40148-002A	TORSION SPRING	114			LP30242-002A	RELAY GEAR
46			LP40149-001C	PRESS LEVER ASSY	115			LP30339-002E	OPENER GUIDE
47			LP30016-002A	SLIT WASHER	116			LP40545-001A	TORSION SPRING
49			LP40106-007A	GUIDE ARM ASSY	117			LP40214-001B	C.H.BRACKET
51			LP40134-001C	TENSION SPRING	118			PQM30017-47	SLIT WASHER,X2
52			QAH0010-004	AC HEAD	119			LP30243-001D	DRIVE GEAR
53			LP30228-001A	HEAD BASE	120			LP20240-001F	DRIVE ARM
54			LP30004-013A	COMPRESSION SPRING,X3	121			LP40137-001A	TORSION SPRING
55			LP40236-001A	COMPRESSION SPRING	122			LP10081-002L	SIDE HOLDER(L)
57			LP40213-002B	SPECIAL SCREW,X3	123			LP10082-002M	SIDE HOLDER(R)
58			QYTDST2608Z	SCREW,X2	124			LP30255-006A	LOCK LEVER(L)
59			QAR0023-001	LOADING MOTOR	127			LP30256-001H	LOCK LEVER(R)
60			PQ43546-1-2	MOTOR PULLEY	128			LP40168-003A	TORSION SPRING(L)
61			LP30230-001B	MOTOR GUIDE	129			LP40218-001B	TORSION SPRING(R)
62			QYTPSP3003Z	SCREW,X2	130			LP30257-001G	CASSETTE HOLDER
63			LP30005-003A	BELT,LOADING MOTOR	132			LP30244-002G	GUIDE RAIL
64			LP20791-002C	CONTROL CAM	134			LP30245-002E	REC SAFETY LEVER
65			PQM30017-24	SLIT WASHER	135			LP30003-004A	TENSION SPRING
66			LP40120-001A	WORM GEAR	137			LP20578-001C	TOP GUIDE
67			LP40107-002A	LINK LEVER ASSY	138			LP30500-001C	HOLD PLATE
68			PQM30017-24	SLIT WASHER	139			LP40450-003A	PAD,X2
69			LP10284-002E	CONTROL PLATE	140			LP30003-025B	TENSION SPRING
70			LP40379-001B	CONTROL BRACKET(1)	141			LP30003-024A	TENSION SPRING
71			QYTDSF2608M	SCREW	142			LP40481-003A	ROLLER CAM ASSY
72			LP40108-002A	TENSION ARM ASSY	143			LP30019-014A	PAD,X2
					151			LP20324-003B	DOOR OPENER
					152			LP30493-001A	START SENSOR CAP

5.4 ELECTRICAL PARTS LIST

#	△ REF No.	PART No.	PART NAME, DESCRIPTION

MAIN BOARD ASSEMBLY <03>			
PW1		LPA10106-13B1	MAIN BOARD ASSY
IC1		JCP8020-MSD-2	IC
IC3001		HD6432194BA26F	IC(MCU)
IC3002		S-80727AN-DQ-X	IC
		or S-80827ANUP-W	IC
		or R3111H271A-W	IC
IC3003		AT24C16-10PC	IC
		or 24LC16B/P	IC
		or BR24C16	IC
IC3004		BA6956AN	IC
IC3601		BU2090FS	IC
IC3651		BU2090FS	IC
IC5101		STR-G6551	IC
IC5301		LA5644	IC
IC6080		NJM2125F	IC
Q1		2SC4081/S/-X	TRANSISTOR
Q2		2SC4081/S/-X	TRANSISTOR
Q3		2SC4081/S/-X	TRANSISTOR
Q4		2SC4081/S/-X	TRANSISTOR
Q10		2SB1218A/QR/-X	TRANSISTOR
		or 2SA1576A/QR/-X	TRANSISTOR
		or 2PA1576/R/-X	TRANSISTOR
Q13		DTC144WU	TRANSISTOR
		or PDTC144WU	TRANSISTOR
		or RN1309	TRANSISTOR
		or UN521E	TRANSISTOR
Q21		2SB1218A/QR/-X	TRANSISTOR
		or 2PA1576/R/-X	TRANSISTOR
		or 2SA1576A/QR/-X	TRANSISTOR
Q24		2SB1218A/QR/-X	TRANSISTOR
		or 2SA1576A/QR/-X	TRANSISTOR
		or 2PA1576/R/-X	TRANSISTOR
Q38		2SD1819A/QRS/-X	TRANSISTOR
		or 2PC4081/R/-X	TRANSISTOR
		or 2SC4081/QRS/-X	TRANSISTOR
Q41		DTC144WU	TRANSISTOR
		or PDTC144WU	TRANSISTOR
		or RN1309	TRANSISTOR
		or UN521E	TRANSISTOR
Q2001		2SC4081/QRS/-X	TRANSISTOR
		or 2PC4081/R/-X	TRANSISTOR
		or 2SD1819A/QRS/-X	TRANSISTOR
Q2002		2SC4081/QRS/-X	TRANSISTOR
		or 2SD1819A/QRS/-X	TRANSISTOR
		or 2PC4081/R/-X	TRANSISTOR
Q2003		DTA144WU	TRANSISTOR
		or PDTA144WU	TRANSISTOR
		or RN2309	TRANSISTOR
		or UN511E	TRANSISTOR
Q2004		DTC144WU	TRANSISTOR
		or PDTC144WU	TRANSISTOR
		or RN1309	TRANSISTOR
		or UN521E	TRANSISTOR
Q2011		DTC144WU	TRANSISTOR
		or PDTC144WU	TRANSISTOR
		or RN1309	TRANSISTOR
		or UN521E	TRANSISTOR

#	△ REF No.	PART No.	PART NAME, DESCRIPTION
Q2052		2SA1576A/QR/-X	TRANSISTOR
		or 2PA1576/R/-X	TRANSISTOR
		or 2SB1218A/QR/-X	TRANSISTOR
Q2053		DTC144WU	TRANSISTOR
		or PDTC144WU	TRANSISTOR
		or RN1309	TRANSISTOR
		or UN521E	TRANSISTOR
Q2054		2SA1576A/QR/-X	TRANSISTOR
		or 2SB1218A/QR/-X	TRANSISTOR
		or 2PA1576/R/-X	TRANSISTOR
Q2061		2SC4081/QRS/-X	TRANSISTOR
		or 2PC4081/R/-X	TRANSISTOR
		or 2SD1819A/QRS/-X	TRANSISTOR
Q2062		2SA1576A/QR/-X	TRANSISTOR
		or 2SB1218A/QR/-X	TRANSISTOR
		or 2PA1576/R/-X	TRANSISTOR
Q2251		DTA144WU	TRANSISTOR
		or PDTA144WU	TRANSISTOR
		or RN2309	TRANSISTOR
		or UN511E	TRANSISTOR
Q2252		DTC114EU	TRANSISTOR
		or PDTC114EU	TRANSISTOR
		or RN1302	TRANSISTOR
		or UN5211	TRANSISTOR
Q3001		2SD1819A/QRS/-X	TRANSISTOR
		or 2PC4081/R/-X	TRANSISTOR
		or 2SC4081/QRS/-X	TRANSISTOR
Q3002		PTZ-NV16	PHOTO TRANSISTOR
		or PTZ-NV16A	PHOTO TRANSISTOR
Q3003		PTZ-NV16	PHOTO TRANSISTOR
		or PTZ-NV16A	PHOTO TRANSISTOR
Q3004		2SD1819A/QRS/-X	TRANSISTOR
		or 2SC4081/QRS/-X	TRANSISTOR
		or 2PC4081/R/-X	TRANSISTOR
Q3005		2SD1819A/QRS/-X	TRANSISTOR
		or 2PC4081/R/-X	TRANSISTOR
		or 2SC4081/QRS/-X	TRANSISTOR
Q3007		UN521E	TRANSISTOR
		or DTC144WU	TRANSISTOR
		or PDTC144WU	TRANSISTOR
		or RN1309	TRANSISTOR
Q4001		UN5211	TRANSISTOR
		or RN1302	TRANSISTOR
		or DTC114EU	TRANSISTOR
		or PDTC114EU	TRANSISTOR
Q4002		UN5211	TRANSISTOR
		or PDTC114EU	TRANSISTOR
		or RN1302	TRANSISTOR
		or DTC114EU	TRANSISTOR
Q4003		UN5211	TRANSISTOR
		or RN1302	TRANSISTOR
		or DTC114EU	TRANSISTOR
		or PDTC114EU	TRANSISTOR
Q5301		2SB1256	TRANSISTOR
Q5302		DTC114TU	TRANSISTOR
		or PDTC114TU	TRANSISTOR
		or UN5215	TRANSISTOR
		or RN1311	TRANSISTOR
△ Q5303		2SD2144S/UVW/-T	TRANSISTOR
Q5304		2SD1450/ST/-T	TRANSISTOR
		or 2SD1302/ST/-T	TRANSISTOR

#	△	REF No.	PART No.	PART NAME, DESCRIPTION		#	△	REF No.	PART No.	PART NAME, DESCRIPTION
Q5305			UN5111	TRANSISTOR		D5102			AU01	FR DIODE
			or RN2302	TRANSISTOR					or ERA18-04-T2	FR DIODE
			or PDTA114EU	TRANSISTOR					or 1SR153-400-T2	FR DIODE
			or DTA114EU	TRANSISTOR					or 10ELS4	FR DIODE
Q5306			2SB1239	TRANSISTOR		D5103			AU01Z	FR DIODE
Q5310			DTC114EU	TRANSISTOR					or ERA18-02-T2	FR DIODE
			or PDTC114EU	TRANSISTOR					or PG104RS	FR DIODE
			or UN5211	TRANSISTOR					or 10ELS2	FR DIODE
			or RN1302	TRANSISTOR					or 1SR153-400-T2	FR DIODE
Q5311			2SA1576A/RS/-X	TRANSISTOR		D5201			AK04	DIODE
Q5312			2SD2144S/UV/-T	TRANSISTOR					or 1S4	SB DIODE
Q5318			DTA114EU	TRANSISTOR					or 11EQS04	SB DIODE
			or PDTA114EU	TRANSISTOR		D5202			FML-12S	FR DIODE
			or UN5111	TRANSISTOR					or FCF06A20	FR DIODE
			or RN2302	TRANSISTOR					or ER602FCT	FR DIODE
Q5320			2SB1256	TRANSISTOR					or SF5LC20U	FR DIODE
Q5321			DTC114TU	TRANSISTOR					or YG901C2	FR DIODE
			or PDTC114TU	TRANSISTOR		D5209			ERA18-02-T2	FR DIODE
			or RN1311	TRANSISTOR					or PG104RS	FR DIODE
			or UN5215	TRANSISTOR					or 1SR153-400-T2	FR DIODE
Q5322			DTA114EU	TRANSISTOR					or 10ELS2	FR DIODE
			or PDTA114EU	TRANSISTOR		D5210			AU01Z	FR DIODE
			or RN2302	TRANSISTOR					or ERA18-02-T2	FR DIODE
			or UN5111	TRANSISTOR					or PG104RS	FR DIODE
Q6030			2SB1218A/QR/-X	TRANSISTOR					or 10ELS2	FR DIODE
			or 2PA1576/R/-X	TRANSISTOR					or 1SR153-400-T2	FR DIODE
			or 2SA1576A/QR/-X	TRANSISTOR		D5211			AU01Z	FR DIODE
Q6031			DTC114EU	TRANSISTOR					or PG104RS	FR DIODE
			or RN1302	TRANSISTOR					or 1SR153-400-T2	FR DIODE
			or UN5211	TRANSISTOR					or ERA18-02-T2	FR DIODE
			or PDTC114EU	TRANSISTOR					or 10ELS2	FR DIODE
Q6032			DTC114EU	TRANSISTOR		D5212			RK14LF-B2	BARRIER DIODE
			or PDTC114EU	TRANSISTOR					or SB240-F26	SB DIODE
			or UN5211	TRANSISTOR					or 21DQ04	BARRIER DIODE
			or RN1302	TRANSISTOR		D5214			ERA18-02-T2	FR DIODE
Q7201			2SC1317/RS/-T	TRANSISTOR					or PG104RS	FR DIODE
D3			NRSA02J-0R0X	MG RESISTOR	0Ω,1/10W				or 1SR153-400-T2	FR DIODE
D6			MTZJ5.1C	ZENER DIODE					or 10ELS2	FR DIODE
D2001			1SS355	DIODE		D5301			MTZJ15A	ZENER DIODE
D2121			MTZJ8.2C	ZENER DIODE					or RD15ES/B1/-T2	ZENER DIODE
D2201			11ES2	DIODE		D5302			MTZJ6.8A	ZENER DIODE
			or 1A3G	DIODE					or RD6.8ES/B1/-T2	ZENER DIODE
D3001			LNB2301L01VI	LE DIODE		D5303			MTZJ27C	ZENER DIODE
D3002			1SS133	DIODE					or RD27ES/B3/-T2	ZENER DIODE
D3003			RD39ES/B3/-T2	ZENER DIODE		D5304			1SS133	DIODE
			or MTZJ39C	ZENER DIODE					or 1SS270A	DIODE
D3004			11E2-T5	DIODE		D5305			11ES2	DIODE
D3005			11E2-T5	DIODE					or ERA15-02-T2	DIODE
D3007			NRSA02J-0R0X	MG RESISTOR	0Ω,1/10W				or 1A3G	DIODE
D3008			1SS355	DIODE		D5306			MTZJ12A	ZENER DIODE
D3011			1SS133	DIODE					or RD12ES/B1/-T2	ZENER DIODE
D3012			1SS133	DIODE		D5307			1SS133	DIODE
D4001			1SS355	DIODE					or 1SS270A	DIODE
D4002			1SS355	DIODE		D5308			1SS133	DIODE
D5001			S1WB/A/60-4102	BRIDGE DIODE					or 1SS270A	DIODE
			or S1WB(A)60F4072X	BRIDGE DIODE		D5309			1SS133	DIODE
			or S1WB/A/60-X	BRIDGE DIODE					or 1SS270A	DIODE
D5101			AU01	FR DIODE		D5310			MTZJ11C	ZENER DIODE
			or ERA18-04-T2	FR DIODE					or RD11ES/B3/-T2	ZENER DIODE
			or 1SR153-400-T2	FR DIODE		D5315			11ES2	DIODE
			or 10ELS4	FR DIODE					or 1A3G	DIODE

#	△ REF No.	PART No.	PART NAME, DESCRIPTION	#	△ REF No.	PART No.	PART NAME, DESCRIPTION
		or ERA15-02-T2	DIODE	R2121		QRE141J-151Y	RESISTOR 150Ω,1/4W
D6002		HZ30-2L-T2	ZENER DIODE	R2202		NRSA02J-222X	MG RESISTOR 2.2kΩ,1/10W
		or HZ30-2LTD	Z DIODE (M)	R2203		NRSA02J-222X	MG RESISTOR 2.2kΩ,1/10W
R1		NRSA02J-682X	MG RESISTOR 6.8kΩ,1/10W	R2204		NRSA02J-102X	MG RESISTOR 1kΩ,1/10W
R2		NRSA02J-152X	MG RESISTOR 1.5kΩ,1/10W	R2205		NRSA02J-102X	MG RESISTOR 1kΩ,1/10W
R3		NRSA02J-822X	MG RESISTOR 8.2kΩ,1/10W	R2206		QRE141J-101Y	RESISTOR 100Ω,1/4W
R4		NRSA02J-0R0X	MG RESISTOR 0Ω,1/10W	R2208		QRE141J-101Y	RESISTOR 100Ω,1/4W
R5		NRSA02J-0R0X	MG RESISTOR 0Ω,1/10W	R2209		QRE141J-101Y	RESISTOR 100Ω,1/4W
R6		NRSA02J-273X	MG RESISTOR 27kΩ,1/10W	R2210		NRSA02J-103X	MG RESISTOR 10kΩ,1/10W
R7		NRSA02J-681X	MG RESISTOR 680Ω,1/10W	R2211		NRSA02J-103X	MG RESISTOR 10kΩ,1/10W
R8		NRSA02J-0R0X	MG RESISTOR 0Ω,1/10W	R2213		QRE141J-393Y	RESISTOR 39kΩ,1/4W
R9		NRSA02J-0R0X	MG RESISTOR 0Ω,1/10W	R2215		NRSA02J-153X	MG RESISTOR 15kΩ,1/10W
R21		NRSA02J-222X	MG RESISTOR 2.2kΩ,1/10W	R2217		NRSA02J-0R0X	MG RESISTOR 0Ω,1/10W
R22		NRSA02J-222X	MG RESISTOR 2.2kΩ,1/10W	R2218		NRSA02J-393X	MG RESISTOR 39kΩ,1/10W
R38		NRSA02J-102X	MG RESISTOR 1kΩ,1/10W	R2219		QRE141J-393Y	RESISTOR 39kΩ,1/4W
R40		NRSA02J-222X	MG RESISTOR 2.2kΩ,1/10W	R2220		QRE141J-393Y	RESISTOR 39kΩ,1/4W
R41		NRSA02J-392X	MG RESISTOR 3.9kΩ,1/10W	R2222		NRSA02J-123X	MG RESISTOR 12kΩ,1/10W
R42		NRSA02J-681X	MG RESISTOR 680Ω,1/10W	R2223		NRSA02J-123X	MG RESISTOR 12kΩ,1/10W
R46		NRSA02J-331X	MG RESISTOR 330Ω,1/10W	R2224		NRSA02J-123X	MG RESISTOR 12kΩ,1/10W
R47		NRSA02J-0R0X	MG RESISTOR 0Ω,1/10W	R2225		NRSA02J-153X	MG RESISTOR 15kΩ,1/10W
R48		NRSA02J-102X	MG RESISTOR 1kΩ,1/10W	R2226		NRSA02J-123X	MG RESISTOR 12kΩ,1/10W
R51		NRSA02J-122X	MG RESISTOR 1.2kΩ,1/10W	R2227		NRSA02J-123X	MG RESISTOR 12kΩ,1/10W
R70		NRSA02J-0R0X	MG RESISTOR 0Ω,1/10W	R2228		NRSA02J-103X	MG RESISTOR 10kΩ,1/10W
R77		NRSA02J-103X	MG RESISTOR 10kΩ,1/10W	R2229		QRE141J-563Y	RESISTOR 56kΩ,1/4W
R84		NRSA02J-103X	MG RESISTOR 10kΩ,1/10W	R2251		NRSA02J-102X	MG RESISTOR 1kΩ,1/10W
R88		NRSA02J-0R0X	MG RESISTOR 0Ω,1/10W	R2252		NRSA02J-472X	MG RESISTOR 4.7kΩ,1/10W
R90		NRSA02J-391X	MG RESISTOR 390Ω,1/10W	R3011		QRE141J-0R0Y	RESISTOR 0Ω,1/4W
R92		NRSA02J-152X	MG RESISTOR 1.5kΩ,1/10W	R3012		NRSA02J-0R0X	MG RESISTOR 0Ω,1/10W
R93		NRSA02J-222X	MG RESISTOR 2.2kΩ,1/10W	R3013		NRSA02J-0R0X	MG RESISTOR 0Ω,1/10W
R104		NRSA02J-682X	MG RESISTOR 6.8kΩ,1/10W	R3016		QRE141J-0R0Y	RESISTOR 0Ω,1/4W
R113		NRSA02J-101X	MG RESISTOR 100Ω,1/10W	R3017		QRE141J-0R0Y	RESISTOR 0Ω,1/4W
R2001		NRSA02J-681X	MG RESISTOR 680Ω,1/10W	R3018		QRE141J-682Y	RESISTOR 6.8kΩ,1/4W
R2002		NRSA02J-272X	MG RESISTOR 2.7kΩ,1/10W	R3019		QRE141J-0R0Y	RESISTOR 0Ω,1/4W
R2003		QRE141J-101Y	RESISTOR 100Ω,1/4W	R3022		NRSA02J-0R0X	MG RESISTOR 0Ω,1/10W
R2005		QRE141J-0R0Y	RESISTOR 0Ω,1/4W	R3025		NRSA02J-0R0X	MG RESISTOR 0Ω,1/10W
R2006		QRE141J-393Y	RESISTOR 39kΩ,1/4W	R3026		NRSA02J-0R0X	MG RESISTOR 0Ω,1/10W
R2007		NRSA02J-393X	MG RESISTOR 39kΩ,1/10W	R3027		NRSA02J-0R0X	MG RESISTOR 0Ω,1/10W
R2008		NRSA02J-123X	MG RESISTOR 12kΩ,1/10W	R3029		NRSA02J-472X	MG RESISTOR 4.7kΩ,1/10W
R2009		NRSA02J-123X	MG RESISTOR 12kΩ,1/10W	R3030		NRSA02J-472X	MG RESISTOR 4.7kΩ,1/10W
R2010		NRSA02J-123X	MG RESISTOR 12kΩ,1/10W	R3031		NRSA02J-0R0X	MG RESISTOR 0Ω,1/10W
R2011		NRSA02J-103X	MG RESISTOR 10kΩ,1/10W	R3032		NRSA02J-0R0X	MG RESISTOR 0Ω,1/10W
R2012		NRSA02J-153X	MG RESISTOR 15kΩ,1/10W	R3038		NRSA02J-152X	MG RESISTOR 1.5kΩ,1/10W
R2013		NRSA02J-682X	MG RESISTOR 6.8kΩ,1/10W	R3040		NRSA02J-0R0X	MG RESISTOR 0Ω,1/10W
R2014		NRSA02J-224X	MG RESISTOR 220kΩ,1/10W	R3041		NRSA02J-472X	MG RESISTOR 4.7kΩ,1/10W
R2015		NRSA02J-181X	MG RESISTOR 180Ω,1/10W	R3042		NRSA02J-0R0X	MG RESISTOR 0Ω,1/10W
R2016		NRSA02J-393X	MG RESISTOR 39kΩ,1/10W	R3044		QRE141J-0R0Y	RESISTOR 0Ω,1/4W
R2017		NRSA02J-183X	MG RESISTOR 18kΩ,1/10W	R3046		QRE141J-102Y	RESISTOR 1kΩ,1/4W
R2018		NRSA02J-472X	MG RESISTOR 4.7kΩ,1/10W	R3047		QRE141J-102Y	RESISTOR 1kΩ,1/4W
R2019		NRSA02J-472X	MG RESISTOR 4.7kΩ,1/10W	R3048		QRE141J-102Y	RESISTOR 1kΩ,1/4W
R2020		NRSA02J-102X	MG RESISTOR 1kΩ,1/10W	R3049		NRSA02J-331X	MG RESISTOR 330Ω,1/10W
R2053		NRSA02J-682X	MG RESISTOR 6.8kΩ,1/10W	R3050		NRSA02J-331X	MG RESISTOR 330Ω,1/10W
R2056		NRSA02J-101X	MG RESISTOR 100Ω,1/10W	R3051		NRSA02J-471X	MG RESISTOR 470Ω,1/10W
R2057		NRSA02J-473X	MG RESISTOR 47kΩ,1/10W	R3052		NRSA02J-471X	MG RESISTOR 470Ω,1/10W
R2058		NRSA02J-183X	MG RESISTOR 18kΩ,1/10W	R3053		NRSA02J-471X	MG RESISTOR 470Ω,1/10W
R2059		NRSA02J-473X	MG RESISTOR 47kΩ,1/10W	R3054		NRSA02J-0R0X	MG RESISTOR 0Ω,1/10W
R2060		NRSA02J-183X	MG RESISTOR 18kΩ,1/10W	R3055		NRSA02J-0R0X	MG RESISTOR 0Ω,1/10W
R2061		NRSA02J-273X	MG RESISTOR 27kΩ,1/10W	R3056		NRSA02J-102X	MG RESISTOR 1kΩ,1/10W
R2062		NRSA02J-3R3X	MG RESISTOR 3.3Ω,1/10W	R3057		NRSA02J-102X	MG RESISTOR 1kΩ,1/10W
R2063		NRSA02J-151X	MG RESISTOR 150Ω,1/10W	R3058		NRSA02J-102X	MG RESISTOR 1kΩ,1/10W
R2064		NRSA02J-473X	MG RESISTOR 47kΩ,1/10W	R3059		NRSA02J-0R0X	MG RESISTOR 0Ω,1/10W
R2065		NRSA02J-183X	MG RESISTOR 18kΩ,1/10W	R3060		NRSA02J-471X	MG RESISTOR 470Ω,1/10W

#	△	REF No.	PART No.	PART NAME, DESCRIPTION	#	△	REF No.	PART No.	PART NAME, DESCRIPTION
R3061			NRSA02J-471X	MG RESISTOR	R3242			NRSA02J-472X	MG RESISTOR
R3062			NRSA02J-0R0X	MG RESISTOR	R3244			NRSA02J-103X	MG RESISTOR
R3063			NRSA02J-0R0X	MG RESISTOR	R3251			NRSA02J-103X	MG RESISTOR
R3066			NRSA02J-472X	MG RESISTOR	R3671			NRSA02J-103X	MG RESISTOR
R3069			NRSA02J-101X	MG RESISTOR	R3672			NRSA02J-103X	MG RESISTOR
R3071			NRSA02J-103X	MG RESISTOR	R3673			NRSA02J-103X	MG RESISTOR
R3072			NRSA02J-0R0X	MG RESISTOR	R4001			NRSA02J-472X	MG RESISTOR
R3073			NRSA02J-0R0X	MG RESISTOR	R4003			NRSA02J-561X	MG RESISTOR
R3075			NRSA02J-471X	MG RESISTOR	R4004			NRSA02J-561X	MG RESISTOR
R3076			NRSA02J-471X	MG RESISTOR	R4005			NRSA02J-562X	MG RESISTOR
R3078			NRSA02J-0R0X	MG RESISTOR	R4007			NRSA02J-102X	MG RESISTOR
R3083			NRSA02J-0R0X	MG RESISTOR	R4008			NRSA02J-102X	MG RESISTOR
R3085			NRSA02J-0R0X	MG RESISTOR	R4009			NRSA02J-102X	MG RESISTOR
R3086			NRSA02J-0R0X	MG RESISTOR	R4010			NRSA02J-103X	MG RESISTOR
R3087			NRSA02J-0R0X	MG RESISTOR	R4011			NRSA02J-472X	MG RESISTOR
R3088			NRSA02J-0R0X	MG RESISTOR	R4012			NRSA02J-222X	MG RESISTOR
R3089			NRSA02J-0R0X	MG RESISTOR	R4013			NRSA02J-102X	MG RESISTOR
R3090			NRSA02J-0R0X	MG RESISTOR	R4014			NRSA02J-0R0X	MG RESISTOR
R3091			NRSA02J-102X	MG RESISTOR	R4015			NRSA02J-223X	MG RESISTOR
R3094			QRE141J-0R0Y	RESISTOR	R4016			NRSA02J-103X	MG RESISTOR
R3095			QRE141J-0R0Y	RESISTOR	R4017			NRSA02J-102X	MG RESISTOR
R3096			QRE141J-0R0Y	RESISTOR	R4018			NRSA02J-102X	MG RESISTOR
R3097			NRSA02J-0R0X	MG RESISTOR	R4019			NRSA02J-103X	MG RESISTOR
R3103			NRSA02J-0R0X	MG RESISTOR	R4020			NRSA02J-103X	MG RESISTOR
R3105			NRSA02J-102X	MG RESISTOR	R4021			NRSA02J-103X	MG RESISTOR
R3106			NRSA02J-102X	MG RESISTOR	R5101			QRG02GJ-104	OMF RESISTOR
R3201			NRSA02J-103X	MG RESISTOR	R5102			QRE141J-330Y	RESISTOR
R3202			NRSA02J-472X	MG RESISTOR	R5103			NRSA02J-681X	MG RESISTOR
R3203			NRSA02J-103X	MG RESISTOR	R5104			QRG029J-154G	OMF RESISTOR
R3204			NRSA02J-222X	MG RESISTOR	R5105			QRT01DJ-R39X	MF RESISTOR
R3205			QRE141J-181Y	RESISTOR	R5106			NRSA02J-562X	MG RESISTOR
R3206			QRE141J-183Y	RESISTOR	R5301			QRE141J-1R0Y	RESISTOR
R3207			NRSA02J-183X	MG RESISTOR	R5302			NRSA02J-102X	MG RESISTOR
R3208			NRSA02J-181X	MG RESISTOR	R5303			NRSA02J-122X	MG RESISTOR
R3209			NRSA02J-273X	MG RESISTOR	△ R5304			QRZ9005-221X	FUSI RESISTOR
R3210			NRSA02J-181X	MG RESISTOR	R5305			NRSA02J-471X	MG RESISTOR
R3211			NRSA02J-273X	MG RESISTOR	R5306			NRSA02J-683X	MG RESISTOR
R3212			NRSA02J-474X	MG RESISTOR	R5307			NRSA02J-102X	MG RESISTOR
R3213			NRSA02J-334X	MG RESISTOR	R5308			NRSA02J-472X	MG RESISTOR
R3214			NRSA02J-103X	MG RESISTOR	R5309			QRE141J-222Y	RESISTOR
R3215			NRSA02J-103X	MG RESISTOR	R5310			NRSA02J-472X	MG RESISTOR
R3216			NRSA02J-103X	MG RESISTOR	R5311			NRSA02J-222X	MG RESISTOR
R3217			NRSA02J-562X	MG RESISTOR	R5313			QRE141J-222Y	RESISTOR
R3218			QRE141J-472Y	RESISTOR	R5314			NRSA02J-102X	MG RESISTOR
R3219			NRSA02J-472X	MG RESISTOR	R5317			NRSA02J-273X	MG RESISTOR
R3220			NRSA02J-104X	MG RESISTOR	R5318			NRSA02J-273X	MG RESISTOR
R3222			NRSA02J-472X	MG RESISTOR	R5319			QRE141J-221Y	RESISTOR
R3223			NRSA02J-472X	MG RESISTOR	R5321			QRE141J-221Y	RESISTOR
R3224			NRSA02J-472X	MG RESISTOR	R5322			NRSA02J-473X	MG RESISTOR
R3225			NRSA02J-103X	MG RESISTOR	R5323			NRSA02J-473X	MG RESISTOR
R3229			NRSA02J-105X	MG RESISTOR	R5327			NRVA02D-303X	CMF RESISTOR
R3230			NRSA02J-472X	MG RESISTOR	R5329			NRSA02J-103X	MG RESISTOR
R3231			NRSA02J-102X	MG RESISTOR	R5330			NRSA02J-103X	MG RESISTOR
R3233			NRSA02J-103X	MG RESISTOR	R5332			NRSA02J-103X	MG RESISTOR
R3234			NRSA02J-103X	MG RESISTOR	R5334			QRE141J-103Y	RESISTOR
R3235			NRSA02J-332X	MG RESISTOR	R5335			NRSA02J-472X	MG RESISTOR
R3236			NRSA02J-332X	MG RESISTOR	R5336			NRSA02J-222X	MG RESISTOR
R3237			NRSA02J-103X	MG RESISTOR	R6020			NRSA02J-0R0X	MG RESISTOR
R3238			QRE141J-103Y	RESISTOR	R6021			NRSA02J-0R0X	MG RESISTOR
R3239			NRSA02J-103X	MG RESISTOR	R6022			NRSA02J-0R0X	MG RESISTOR
R3241			NRSA02J-104X	MG RESISTOR	R6030			NRSA02J-102X	MG RESISTOR

#	△ REF No.	PART No.	PART NAME, DESCRIPTION	#	△ REF No.	PART No.	PART NAME, DESCRIPTION
R6031		NRSA02J-0R0X	MG RESISTOR 0Ω,1/10W	C62		NCB21EK-104X	CAPACITOR 0.1μF,25V
R6032		NRSA02J-392X	MG RESISTOR 3.9kΩ,1/10W	C64		NDC21HJ-220X	CAPACITOR 22pF,50V
R6033		NRSA02J-182X	MG RESISTOR 1.8kΩ,1/10W	C65		QEKJ1HM-105	E CAPACITOR 1μF,50V
R6050		NRSA02J-101X	MG RESISTOR 100Ω,1/10W	C69		NCB21EK-104X	CAPACITOR 0.1μF,25V
R6051		NRSA02J-101X	MG RESISTOR 100Ω,1/10W	C70		NCB21EK-104X	CAPACITOR 0.1μF,25V
R6052		NRSA02J-101X	MG RESISTOR 100Ω,1/10W	C81		NCB21HK-103X	CAPACITOR 0.01μF,50V
R6060		NRSA02J-103X	MG RESISTOR 10kΩ,1/10W	C94		NRSA02J-0R0X	MG RESISTOR 0Ω,1/10W
R6061		NRSA02J-103X	MG RESISTOR 10kΩ,1/10W	C106		NCB21HK-821X	CAPACITOR 820pF,50V
R6508		NRSA02J-0R0X	MG RESISTOR 0Ω,1/10W	C107		NBE20JM-226X	T CAPACITOR 22μF,6.3V
R6510		NRSA02J-0R0X	MG RESISTOR 0Ω,1/10W	C108		NDC21HJ-680X	CAPACITOR 68pF,50V
R6553		QRE141J-471Y	RESISTOR 470Ω,1/4W	C109		NCB21CK-224X	CAPACITOR 0.22μF,16V
R6554		QRE141J-471Y	RESISTOR 470Ω,1/4W	C110		NDC21HJ-820X	CAPACITOR 82pF,50V
R7202		NRSA02J-221X	MG RESISTOR 220Ω,1/10W	C114		NDC21HJ-181X	CAPACITOR 180pF,50V
R7203		NRSA02J-472X	MG RESISTOR 4.7kΩ,1/10W	C2001		QETN1HM-475	E CAPACITOR 4.7μF,50V
R7204		QRE121J-100Y	RESISTOR 10Ω,1/2W	C2002		QEKJ1CM-106	E CAPACITOR 10μF,16V
R7251		NRSA02J-750X	MG RESISTOR 75Ω,1/10W	C2003		QEKJ0JM-476	E CAPACITOR 47μF,6.3V
R7252		NRSA02J-750X	MG RESISTOR 75Ω,1/10W	C2004		NCB21HK-103X	CAPACITOR 0.01μF,50V
R7253		NRSA02J-750X	MG RESISTOR 75Ω,1/10W	C2005		QEKJ1EM-475	E CAPACITOR 4.7μF,25V
C1		NCB21EK-103X	CAPACITOR 0.01μF,25V	C2006		NCB21HK-123X	CAPACITOR 0.012μF,50V
C2		NCB21EK-103X	CAPACITOR 0.01μF,25V	C2007		QEKJ1CM-226	E CAPACITOR 22μF,16V
C3		NCB21EK-103X	CAPACITOR 0.01μF,25V	C2008		QERF1EM-475	E CAPACITOR 4.7μF,25V
C4		NCB21EK-103X	CAPACITOR 0.01μF,25V	C2009		NCB21HK-102X	CAPACITOR 0.001μF,50V
C5		QEKJ0JM-337	E CAPACITOR 330μF,6.3V	C2010		NCB21HK-152X	CAPACITOR 0.0015μF,50V
C6		NCB11EK-104X	CAPACITOR 0.1μF,25V	C2011		QEKJ1EM-475	E CAPACITOR 4.7μF,25V
C7		NCB21HK-102X	CAPACITOR 0.001μF,50V	C2012		QEKJ1EM-475	E CAPACITOR 4.7μF,25V
C8		NCB21EK-104X	CAPACITOR 0.1μF,25V	C2013		NCB21HK-331X	CAPACITOR 330pF,50V
C9		QETN1HM-225	E CAPACITOR 2.2μF,50V	C2021		NCB21HK-682X	CAPACITOR 0.0068μF,50V
C10		NDC21HJ-151X	CAPACITOR 150pF,50V	C2051		NCB21HK-331X	CAPACITOR 330pF,50V
C11		NCB21EK-104X	CAPACITOR 0.1μF,25V	C2061		QFLC1HJ-333Z	F CAPACITOR 0.033μF,50V
C12		NDC21HJ-470X	CAPACITOR 47pF,50V	C2062		NCB21HK-332X	CAPACITOR 0.0033μF,50V
C14		NCB21EK-104X	CAPACITOR 0.1μF,25V	C2063		NCB21HK-103X	CAPACITOR 0.01μF,50V
C15		NCB21EK-103X	CAPACITOR 0.01μF,25V	C2064		QEKJ1CM-106	E CAPACITOR 10μF,16V
C16		NCB11EK-104X	CAPACITOR 0.1μF,25V	C2201		NCB21EK-104X	CAPACITOR 0.1μF,25V
C17		QEKJ1HM-335	E CAPACITOR 3.3μF,50V	C2202		NCB21EK-333X	CAPACITOR 0.033μF,25V
C18		QEKJ1HM-105	E CAPACITOR 1μF,50V	C2203		QEKJ1CM-106	E CAPACITOR 10μF,16V
C19		QEKJ1HM-225	E CAPACITOR 2.2μF,50V	C2204		QDGB1HK-102Y	CAPACITOR 0.001μF,50V
C20		QEKJ1HM-105	E CAPACITOR 1μF,50V	C2205		QEKJ1HM-105	E CAPACITOR 1μF,50V
C21		NCB21EK-104X	CAPACITOR 0.1μF,25V	C2206		QEKJ1CM-106	E CAPACITOR 10μF,16V
C22		QEKJ0JM-227	E CAPACITOR 220μF,6.3V	C2207		QEKJ1CM-476	E CAPACITOR 47μF,16V
C23		NCB21EK-104X	CAPACITOR 0.1μF,25V	C2208		QETN1HM-475	E CAPACITOR 4.7μF,50V
C24		NCB21EK-104X	CAPACITOR 0.1μF,25V	C2209		QERF1HM-104	E CAPACITOR 0.1μF,50V
C25		NDC21HJ-6R0X	CAPACITOR 6pF,50V	C2210		QEKJ1HM-104	E CAPACITOR 0.1μF,50V
C26		NCB21EK-104X	CAPACITOR 0.1μF,25V	C2211		QERF1HM-105	E CAPACITOR 1μF,50V
C27		NCB21HK-223X	CAPACITOR 0.022μF,50V	C2212		QEKJ1HM-105	E CAPACITOR 1μF,50V
C28		QEKJ1HM-335	E CAPACITOR 3.3μF,50V	C2213		QEKJ1CM-106	E CAPACITOR 10μF,16V
C29		NCB21EK-333X	CAPACITOR 0.033μF,25V	C2214		QEKJ1CM-106	E CAPACITOR 10μF,16V
C30		NCB21CK-474X	CAPACITOR 0.47μF,16V	C2215		QERF1EM-475	E CAPACITOR 4.7μF,25V
C31		QEKJ0JM-107	E CAPACITOR 100μF,6.3V	C2216		QEKJ1HM-474	E CAPACITOR 0.47μF,50V
C32		QCB1HK-103	CAPACITOR 0.01μF,50V	C2217		QEKJ1CM-106	E CAPACITOR 10μF,16V
C33		QEKJ1HM-225	E CAPACITOR 2.2μF,50V	C2218		QEKJ1HM-474	E CAPACITOR 0.47μF,50V
C34		NCB21EK-104X	CAPACITOR 0.1μF,25V	C2219		QEKJ1CM-106	E CAPACITOR 10μF,16V
C35		NCB21HK-103X	CAPACITOR 0.01μF,50V	C2220		QEKJ1EM-475	E CAPACITOR 4.7μF,25V
C36		QEKJ1EM-475	E CAPACITOR 4.7μF,25V	C2221		NCB21HK-103X	CAPACITOR 0.01μF,50V
C37		NCB21AK-105X	CAPACITOR 1μF,10V	C2222		QEKJ1HM-474	E CAPACITOR 0.47μF,50V
C38		QEKJ0JM-337	E CAPACITOR 330μF,6.3V	C2223		QEKJ1HM-474	E CAPACITOR 0.47μF,50V
C39		NCB21EK-104X	CAPACITOR 0.1μF,25V	C2224		NCB21HK-103X	CAPACITOR 0.01μF,50V
C40		QEKJ1CM-106	E CAPACITOR 10μF,16V	C2225		QEKJ1EM-475	E CAPACITOR 4.7μF,25V
C45		QCFB1HZ-104	CAPACITOR 0.1μF,50V	C2226		QEKJ1CM-106	E CAPACITOR 10μF,16V
C51		QEKJ1HM-105	E CAPACITOR 1μF,50V	C2227		NCB21CK-104X	CAPACITOR 0.1μF,16V
C52		QEKJ1HM-105	E CAPACITOR 1μF,50V	C2228		NCB21CK-104X	CAPACITOR 0.1μF,16V
C53		NDC21HJ-101X	CAPACITOR 100pF,50V	C2229		NDC21HJ-101X	CAPACITOR 100pF,50V

#	△	REF No.	PART No.	PART NAME, DESCRIPTION	#	△	REF No.	PART No.	PART NAME, DESCRIPTION		
			C2230	NDC21HJ-101X	CAPACITOR			C5212	QEMU1VM-127	E CAPACITOR	120μF,35V
			C2251	QEKJ1CM-476	E CAPACITOR			C5213	QEMU0JM-227	E CAPACITOR	220μF,6.3V
			C2252	NCB21HK-103X	CAPACITOR			C5301	QETM0JM-108	E CAPACITOR	1000μF,6.3V
			C2253	NCB21CK-104X	CAPACITOR			C5303	QETN1CM-107	E CAPACITOR	100μF,16V
			C2254	NCB21CK-104X	CAPACITOR			C5304	QFVF1HJ-274Z	F CAPACITOR	0.27μF,50V
			C2255	NDC21HJ-181X	CAPACITOR			C5305	NCB21HK-103X	CAPACITOR	0.01μF,50V
			C3001	NCB21EK-104X	CAPACITOR			C5306	QEKJ0JM-107	E CAPACITOR	100μF,6.3V
			C3002	NCB21HK-103X	CAPACITOR			C5307	QEKJ0JM-476	E CAPACITOR	47μF,6.3V
			C3003	QEKJ1CM-106	E CAPACITOR			C5308	QETN1CM-107	E CAPACITOR	100μF,16V
			C3004	NCB21EK-104X	CAPACITOR			C5309	QETN1CM-107	E CAPACITOR	100μF,16V
			C3008	NCB21HK-102X	CAPACITOR			C6006	NCB21HK-103X	CAPACITOR	0.01μF,50V
			C3010	QEZ0244-229	EDL CAPACITOR			C6007	QEMU0JM-227	E CAPACITOR	220μF,6.3V
			C3012	QEKJ0JM-107	E CAPACITOR			C6008	NCB21HK-103X	CAPACITOR	0.01μF,50V
			C3015	NCB21EK-104X	CAPACITOR			C6012	QEKJ1CM-107	E CAPACITOR	100μF,16V
			C3016	NCB21EK-104X	CAPACITOR			C6013	NCB21HK-103X	CAPACITOR	0.01μF,50V
			C3022	NCB21EK-104X	CAPACITOR			C6014	NCB21HK-103X	CAPACITOR	0.01μF,50V
			C3024	NDC21HJ-220X	CAPACITOR			C6016	NCB21HK-103X	CAPACITOR	0.01μF,50V
			C3025	QAT3725-300Z	TRIM CAPACITOR,TIMER CLOCK			C6023	NCB21HK-103X	CAPACITOR	0.01μF,50V
			C3026	NCB21HK-103X	CAPACITOR			C6032	NCF21EZ-473X	CAPACITOR	0.047μF,25V
			C3027	NBE20JM-106X	T CAPACITOR			C6033	NRSA02J-0R0X	MG RESISTOR	0Ω,1/10W
			C3030	NBE20JM-226X	T CAPACITOR			C6037	NBE20JM-106X	T CAPACITOR	10μF,6.3V
			C3031	NCB21EK-104X	CAPACITOR			C6055	NDC21HJ-220X	CAPACITOR	22pF,50V
			C3032	NCB21EK-104X	CAPACITOR			C6555	NDC21HJ-1R0X	CAPACITOR	1pF,50V
			C3033	NCB21EK-104X	CAPACITOR			C7202	QETJ0JM-477	E CAPACITOR	470μF,6.3V
			C3036	NDC21HJ-180X	CAPACITOR			C7251	NRSA02J-0R0X	MG RESISTOR	0Ω,1/10W
			C3037	NDC21HJ-120X	CAPACITOR			L1	QQL29BJ-100Z	COIL	10μH
			C3040	QDYB1CM-103Y	CAPACITOR			L2	QQL071J-101Y	COIL	100μH
			C3042	QETJ0JM-477	E CAPACITOR			L3	QQL29BJ-100Z	COIL	10μH
			C3602	NCB21EK-104X	CAPACITOR			L4	QQL29BJ-100Z	COIL	10μH
			C3652	NCB21EK-104X	CAPACITOR			L5	QQR0657-019Z	NOISE FILTER	
			C4002	NCB21EK-104X	CAPACITOR			L12	QQR0967-001	COIL	12μH
			C4003	NCB21HK-102X	CAPACITOR			L13	QQL071J-330Y	COIL	33μH
			C4004	NBE20JM-226X	T CAPACITOR			L24	QQL071J-270Y	COIL	27μH
			C4006	NBE40JM-476X	T CAPACITOR			L25	QQL29BJ-100Z	COIL	10μH
			C4007	NCB21HK-102X	CAPACITOR			L27	QQL071J-330Y	COIL	33μH
			C4008	NCB21AK-105X	CAPACITOR			L28	QQL071J-680Y	COIL	68μH
			C4009	NCB21HK-563X	CAPACITOR			L2251	QQL29BJ-100Z	COIL	10μH
			C4010	NCB21EK-223X	CAPACITOR			L2252	QQL29BJ-151Z	COIL	150μH
			C4011	NCB21EK-104X	CAPACITOR			L5201	PELN1184	COIL	33μH
			C4012	NCB21EK-224X	CAPACITOR			L5202	PELN1184	COIL	33μH
			C4013	NCB21HK-563X	CAPACITOR			L6002	QQL29BJ-100Z	COIL	10μH
			C4014	NDC21HJ-101X	CAPACITOR			L6004	QQL29BJ-100Z	COIL	10μH
			C4015	NDC21HJ-331X	CAPACITOR			L6005	QQL29BJ-100Z	COIL	10μH
			C4016	NDC21HJ-681X	CAPACITOR			L6031	NRSA02J-0R0X	MG RESISTOR	0Ω,1/10W
			C4017	NCB21HK-222X	CAPACITOR			L7201	QQL01BJ-101Z	COIL	100μH
△			C5001	QFZ9073-683	F CAPACITOR			X1	QAX0576-001	CRYSTAL RESONATOR	
△			C5002	QFZ9051-333	F CAPACITOR			X3001	QAX0445-001	CRYSTAL RESONATOR	
△			C5004	QCZ9071-222	CAPACITOR			X3002	QAX0527-001	CRYSTAL RESONATOR	
			C5006	QEZ0375-686	E CAPACITOR			K2251	NRSA02J-0R0X	MG RESISTOR	0Ω,1/10W
			C5101	QCZ0212-472	CAPACITOR			K2252	NRSA02J-0R0X	MG RESISTOR	0Ω,1/10W
			C5102	QEMU1VM-276	E CAPACITOR			K2253	NRSA02J-0R0X	MG RESISTOR	0Ω,1/10W
			C5103	QCZ0302-330Z	CAPACITOR			K5101	QQR0678-001Z	FERRITE BEAD	
			C5104	QFLC1HJ-471Z	F CAPACITOR			K5102	QQR0678-001Z	FERRITE BEAD	
			C5201	QEMU0JM-227	E CAPACITOR			PC3001	GP3S123	IC(PHOTO SENSOR)	
			C5202	QEMT1CM-827	E CAPACITOR			PC3002	GP3S123	IC(PHOTO SENSOR)	
			C5203	QEMT1AM-128	E CAPACITOR			△	PC5101	PC123F2	PH COUPLER
			C5204	QETN2AM-475	E CAPACITOR			T2052	PELN0861	OSC TRANSFORMER	
			C5205	QETN1HM-106	E CAPACITOR			△	T5001	QQS0057-001	SW TRANSFORMER
			C5206	QEMU1EM-187	E CAPACITOR			TU6001	QAU0151-001	TUNER	
			C5207	QETN1CM-227	E CAPACITOR			ET1	PQ21623-1-5	EARTH PLATE(RF)	
			C5208	QETN1AM-227	E CAPACITOR			ET2	LP40658-001B	EARTH PLATE(1)	

#	△ REF No.	PART No.	PART NAME, DESCRIPTION	
	HS1	LP40090-001A	HEAT SINK,IC5101	
	SD1	LP30720-001A	SHIELD CASE(PRE/REC)	
	OT1	QYTDSF3010Z	SCREW,X2	
	OT2	QYTDST3006Z	SCREW,IC5101	
	OT3	PU59915-105	#500SPACER0.01,C45	
	WR1	QUB351-10ZAZA	SIN TWIST WIRE	
	WR19	QUB351-05A4ZA	SIN TWIST WIRE	
	WR101	QRE141J-0R0	RESISTOR,M/I	0Ω,1/4W
	FC5001	QNG0006-001Z	FUSE CLIP,F5001	
	FC5002	QNG0006-001Z	FUSE CLIP,F5001	
△	LF5001	PELN1204-01-01	LINE FILTER	
△	LF5002	QQR0608-001	LINE FILTER	
	CN1	QGF1028C1-11	FPC CONNECTOR,(4-14)U.DRUM	
	CN902	QGF1207C1-05	FPC CONNECTOR,(1-5)F_IN	
	CN903	QGB2024K1-12S	CONNECTOR,(1-12)TERMINAL	
	CN904	QGB2024K1-12S	CONNECTOR,(1-12)TERMINAL	
	CN905	QGB2024K1-05S	CONNECTOR,(1-5)TERMINAL	
	CN907	QGB2024K1-10S	CONNECTOR,(1-10)TERMINAL	
	CN2001	QGF1207C1-07	FPC CONNECTOR,(1-7)A/C HEAD	
	CN2002	QGB2532J1-02	CONNECTOR,(1-2)FE HEAD	
	CN2051	QGB2024K1-04S	CONNECTOR,(1-4)AUDIO ERASE	
	CN3001	QGF1207C1-05	FPC CONNECTOR,(1-5)DRUM MDA	
	CN3002	QGB2532J1-02	CONNECTOR,(1-2)LOADING MOTOR	
	CN3003	QGB2015M2-08	CONNECTOR,(1-8)CAPSTAN MOTOR	
	CN3004	QGB2534J2-04	CONNECTOR,(1-4)ROTARY ENCODER	
	CN3011	QGF1207C1-14	FPC CONNECTOR,(1-14)FRONT	
	CN3012	QGF1207C1-06	FPC CONNECTOR,(1-6)JOG	
△	CN5001	QGA7901C3-02	CONNECTOR,(1-2)AC IN	
△	CP4001	ICP-N25	CIRCUIT PROTECTOR	
△	CP5301	ICP-N38	CIRCUIT PROTECTOR	
△	CP5302	ICP-N25	CIRCUIT PROTECTOR	
△	F5001	QMF51E2-2R0J1	FUSE	T2.0A,AC250V

TERMINAL BOARD ASSEMBLY <06>

PW1	LPA10100-05A	TERMINAL BOARD ASSY	
IC201	LC74776-9791	IC	
IC901	BH7636S	IC	
Q201	2SC4081/QRS/-X	TRANSISTOR	
	or 2PC4081/R/-X	TRANSISTOR	
	or 2SD1819A/QRS/-X	TRANSISTOR	
Q202	2SA1576A/QR/-X	TRANSISTOR	
	or 2PA1576/R/-X	TRANSISTOR	
	or 2SB1218A/QR/-X	TRANSISTOR	
Q207	2SB1218A/QR/-X	TRANSISTOR	
	or 2SA1576A/QR/-X	TRANSISTOR	
	or 2PA1576/R/-X	TRANSISTOR	
Q902	2SB1218A/QR/-X	TRANSISTOR	
	or 2SA1576A/QR/-X	TRANSISTOR	
	or 2PA1576/R/-X	TRANSISTOR	
Q909	2SB1218A/QR/-X	TRANSISTOR	
	or 2PA1576/R/-X	TRANSISTOR	
	or 2SA1576A/QR/-X	TRANSISTOR	
D201	QRE141J-152Y	RESISTOR	1.5kΩ,1/4W
D205	1SS133	DIODE	
R202	NRSA02J-103X	MG RESISTOR	10kΩ,1/10W
R208	NRSA02J-222X	MG RESISTOR	2.2kΩ,1/10W

#	△ REF No.	PART No.	PART NAME, DESCRIPTION	
	R209	NRSA02J-123X	MG RESISTOR	12kΩ,1/10W
	R210	NRSA02J-182X	MG RESISTOR	1.8kΩ,1/10W
	R211	NRSA02J-562X	MG RESISTOR	5.6kΩ,1/10W
	R212	NRSA02J-101X	MG RESISTOR	100Ω,1/10W
	R213	NRSA02J-0R0X	MG RESISTOR	0Ω,1/10W
	R214	NRSA02J-103X	MG RESISTOR	10kΩ,1/10W
	R216	NRSA02J-103X	MG RESISTOR	10kΩ,1/10W
	R218	NRSA02J-331X	MG RESISTOR	330Ω,1/10W
	R224	NRSA02J-221X	MG RESISTOR	220Ω,1/10W
	R225	NRSA02J-102X	MG RESISTOR	1kΩ,1/10W
	R226	NRSA02J-681X	MG RESISTOR	680Ω,1/10W
	R901	NRSA02J-750X	MG RESISTOR	75Ω,1/10W
	R902	NRSA02J-750X	MG RESISTOR	75Ω,1/10W
	R904	NRSA02J-101X	MG RESISTOR	100Ω,1/10W
	R905	NRSA02J-101X	MG RESISTOR	100Ω,1/10W
	R906	NQL402M-100X	COIL	10μH
	R907	NQL402M-100X	COIL	10μH
	R908	NRSA02J-0R0X	MG RESISTOR	0Ω,1/10W
	R909	NRSA02J-750X	MG RESISTOR	75Ω,1/10W
	R910	NRSA02J-750X	MG RESISTOR	75Ω,1/10W
	R912	NRSA02J-101X	MG RESISTOR	100Ω,1/10W
	R913	NRSA02J-101X	MG RESISTOR	100Ω,1/10W
	R914	NQL402M-100X	COIL	10μH
	R915	NQL402M-100X	COIL	10μH
	R916	NRSA02J-102X	MG RESISTOR	1kΩ,1/10W
	R917	NRSA02J-0R0X	MG RESISTOR	0Ω,1/10W
	R918	NRSA02J-0R0X	MG RESISTOR	0Ω,1/10W
	R931	NRSA02J-101X	MG RESISTOR	100Ω,1/10W
	R932	NRSA02J-511X	MG RESISTOR	510Ω,1/10W
	R933	NRSA02J-471X	MG RESISTOR	470Ω,1/10W
	R935	QRE141J-101Y	RESISTOR	100Ω,1/4W
	R936	NRSA02J-101X	MG RESISTOR	100Ω,1/10W
	R937	QRE141J-101Y	RESISTOR	100Ω,1/4W
	R938	QRE141J-101Y	RESISTOR	100Ω,1/4W
	R964	NRSA02J-101X	MG RESISTOR	100Ω,1/10W
	R965	NRSA02J-101X	MG RESISTOR	100Ω,1/10W
	C201	QEKJ0JM-227	E CAPACITOR	220μF,6.3V
	C204	NDC21HJ-100X	CAPACITOR	10pF,50V
	C206	NDC21HJ-330X	CAPACITOR	33pF,50V
	C207	NDC21HJ-330X	CAPACITOR	33pF,50V
	C209	NCB21CK-474X	CAPACITOR	0.47μF,16V
	C210	NDC21HJ-101X	CAPACITOR	100pF,50V
	C211	NDC21HJ-101X	CAPACITOR	100pF,50V
	C212	NCB21EK-104X	CAPACITOR	0.1μF,25V
	C213	QEKJ1EM-475	E CAPACITOR	4.7μF,25V
	C214	NCB21CK-224X	CAPACITOR	0.22μF,16V
	C215	NCB21CK-224X	CAPACITOR	0.22μF,16V
	C216	QEKJ0JM-227	E CAPACITOR	220μF,6.3V
	C217	NDC21HJ-560X	CAPACITOR	56pF,50V
	C218	NCB21AK-105X	CAPACITOR	1μF,10V
	C222	NCB21AK-105X	CAPACITOR	1μF,10V
	C225	NCB21EK-104X	CAPACITOR	0.1μF,25V
	C901	NCB21HK-331X	CAPACITOR	330pF,50V
	C902	NCB21HK-331X	CAPACITOR	330pF,50V
	C903	NCB21HK-471X	CAPACITOR	470pF,50V
	C904	NCB21HK-471X	CAPACITOR	470pF,50V
	C905	NCB21HK-331X	CAPACITOR	330pF,50V
	C906	NCB21HK-331X	CAPACITOR	330pF,50V
	C907	NCB21HK-471X	CAPACITOR	470pF,50V
	C908	NCB21HK-471X	CAPACITOR	470pF,50V
	C910	NCB21HK-102X	CAPACITOR	0.001μF,50V

#	△ REF No.	PART No.	PART NAME, DESCRIPTION
C912		NCB21HK-102X	CAPACITOR 0.001μF,50V
C915		NCB21HK-103X	CAPACITOR 0.01μF,50V
C916		NCB21HK-223X	CAPACITOR 0.022μF,50V
C917		NCB21HK-223X	CAPACITOR 0.022μF,50V
C918		NCB21HK-223X	CAPACITOR 0.022μF,50V
C921		NDC21HJ-330X	CAPACITOR 33pF,50V
C925		NCB21HK-223X	CAPACITOR 0.022μF,50V
C933		NCB21HK-331X	CAPACITOR 330pF,50V
C934		NCB21HK-331X	CAPACITOR 330pF,50V
C935		NCB21HK-471X	CAPACITOR 470pF,50V
C936		NCB21HK-471X	CAPACITOR 470pF,50V
C937		NCB21HK-331X	CAPACITOR 330pF,50V
C938		NCB21HK-331X	CAPACITOR 330pF,50V
C939		NCB21HK-471X	CAPACITOR 470pF,50V
C940		NCB21HK-471X	CAPACITOR 470pF,50V
C943		QEKJ1CM-476	E CAPACITOR 47μF,16V
C945		QEKJ1CM-106	E CAPACITOR 10μF,16V
C947		QETJ0JM-477	E CAPACITOR 470μF,6.3V
L201		QQL29BK-1R0Z	COIL 1μH
L202		QQL071J-330Y	COIL 33μH
L203		QQL071J-220Y	COIL 22μH
L204		QQL29BJ-100Z	COIL 10μH
L206		QQL071J-220Y	COIL 22μH
L901		QQL231J-R22Y	COIL 0.22μH
L902		QQL071J-1R0Y	COIL 1μH
L903		QQL071J-150Y	COIL 15μH
L904		QQL071J-150Y	COIL 15μH
L910		QQL071J-1R0Y	COIL 1μH
L913		QQL071J-4R7Y	COIL 4.7μH
L914		QQL071J-4R7Y	COIL 4.7μH
L915		QQL071J-4R7Y	COIL 4.7μH
L916		QQL071J-4R7Y	COIL 4.7μH
L917		QQL071J-4R7Y	COIL 4.7μH
L918		QQL071J-4R7Y	COIL 4.7μH
L919		QQL071J-4R7Y	COIL 4.7μH
L920		QQL071J-4R7Y	COIL 4.7μH
ET1		PQ21987-1-1	EATH PLATE(TERMMINAL)
△ TB1		LP30712-010B	TERMINAL BOARD ASSY
OT1		QYTDSF3008Z	SCREW,X8
J901		PEMC1177	RGB21PIN SOCKET,AV1 IN/OUT
J902		PEMC1177	RGB21PIN SOCKET,AV2/DECODER
J912		QNN0023-003	PIN JACK,A.OUT(L)
J913		QNN0023-002	PIN JACK,A.OUT(R)
J923		PEMC1190	MINI JACK,JLIP
J924		QNS0150-001	2.5 JACK,LANC
J925		PU60659	MINI JACK,SAT.CTL
J926		PU60659	MINI JACK,R.PAUSE
WR901		QUB320-07ZAZA	SIN TWIST WIRE
CN912		QGF1208F1-08	FPC CONNECTOR,(1-8)
CN913		QGB2024J1-12S	CONNECTOR,(1-12)MAIN
CN914		QGB2024J1-12S	CONNECTOR,(1-12)MAIN
CN915		QGB2024J1-05S	CONNECTOR,(1-5)MAIN
CN917		QGB2024J1-10S	CONNECTOR,(1-10)MAIN

AUDIO CONTROL HEAD BOARD ASSEMBLY <12>

PW1	LPA10010-01A1	A/C HEAD BOARD ASSY
CN1	QGF1208F1-07	FPC CONNECTOR

#	△ REF No.	PART No.	PART NAME, DESCRIPTION

DEMOD BOARD ASSEMBLY <14>			
PW1		LPA10094-01C	DEMOD BOARD ASSY
IC6701		MSP34VCDT	IC
		or MSP3417D	IC
Q6701		2SC3936/BC/-X	TRANSISTOR
D6701		1SS133	DIODE
		or 1N4148M	DIODE
R6701		NRSA02J-392X	MG RESISTOR 3.9kΩ,1/10W
R6702		NRSA02J-682X	MG RESISTOR 6.8kΩ,1/10W
R6703		NRSA02J-470X	MG RESISTOR 47Ω,1/10W
R6704		NRSA02J-102X	MG RESISTOR 1kΩ,1/10W
R6705		NRSA02J-271X	MG RESISTOR 270Ω,1/10W
R6706		NRSA02J-151X	MG RESISTOR 150Ω,1/10W
R6707		NRSA02J-220X	MG RESISTOR 22Ω,1/10W
R6708		NRSA02J-101X	MG RESISTOR 100Ω,1/10W
R6709		NRSA02J-101X	MG RESISTOR 100Ω,1/10W
R6710		NRSA02J-100X	MG RESISTOR 10Ω,1/10W
R6711		NRSA02J-684X	MG RESISTOR 680kΩ,1/10W
R6712		NRSA02J-102X	MG RESISTOR 1kΩ,1/10W
R6714		NRSA02J-102X	MG RESISTOR 1kΩ,1/10W
R6716		NRSA02J-470X	MG RESISTOR 47Ω,1/10W
R6719		QRE141J-103Y	RESISTOR 10kΩ,1/4W
R6720		NRSA02J-562X	MG RESISTOR 5.6kΩ,1/10W
R6721		NRSA02J-562X	MG RESISTOR 5.6kΩ,1/10W
C6701		NCB21HK-103X	CAPACITOR 0.01μF,50V
C6702		NCB21HK-222X	CAPACITOR 0.0022μF,50V
C6704		NCB21HK-103X	CAPACITOR 0.01μF,50V
C6705		NCB21HK-102X	CAPACITOR 0.001μF,50V
C6707		NDC21HJ-470X	CAPACITOR 47pF,50V
C6708		NDC21HJ-8R0X	CAPACITOR 8pF,50V
C6709		NDC21HJ-1R0X	CAPACITOR 1pF,50V
C6713		NCF21CZ-224X	CAPACITOR 0.22μF,16V
C6714		NCB21HK-682X	CAPACITOR 0.0068μF,50V
C6715		QEKJ1HM-225	E CAPACITOR 2.2μF,50V
C6716		NCB21HK-682X	CAPACITOR 0.0068μF,50V
C6717		QEKJ1HM-225	E CAPACITOR 2.2μF,50V
C6719		QEKJ1CM-106	E CAPACITOR 10μF,16V
C6720		QEKJ1CM-106	E CAPACITOR 10μF,16V
C6721		NCB21HK-103X	CAPACITOR 0.01μF,50V
C6723		NCB21HK-103X	CAPACITOR 0.01μF,50V
C6724		QEKJ1HM-225	E CAPACITOR 2.2μF,50V
L6701		QQL231J-1R0Y	COIL 1μH
L6702		QQL231J-3R3Y	COIL 3.3μH
X6701		QAX0443-001	CRYSTAL RESONATOR
K6701		NQR0200-003X	FERRITE BEAD
K6702		NQR0200-003X	FERRITE BEAD
K6703		NQR0200-003X	FERRITE BEAD
K6704		NQR0200-003X	FERRITE BEAD
K6705		NQR0200-003X	FERRITE BEAD
K6706		NQR0200-003X	FERRITE BEAD
K6707		NQR0200-003X	FERRITE BEAD
BK1		LP40077-001A	BRACKET(BOARD)
CN6701		QGG2502K1-10	HEADER PIN

REF No. PART No. PART NAME, DESCRIPTION

**NAVIGATION BOARD ASSEMBLY <19>
 [LPB10108-001*]**

There are currently two types of Navigation boards in used, these are the LPB10108-001* and the LPB10108-002*.

These two boards have different Schematic Diagrams and Parts Lists. Be sure to check the board number before selecting its corresponding Schematic Diagram and Parts List.

PW1	LPA10108-01B	NAVIGATION BOARD ASSY	
IC3301	MN101C12GCG	IC	
	or MN101CP49KAFCG	IC	
	or MN101C49HCG	IC	
	or MN101CP12GAFCG	IC	
IC3401	74HC4053D	IC	
IC3402	74HC4053D	IC	
IC3403	AT45D011-SC-X	IC	
IC3405	TC7W241FU	IC(DIGITAL)	
IC3406	TC7W241FU	IC(DIGITAL)	
D3401	RB751V-40-X	SB DIODE	
D3402	RB751V-40-X	SB DIODE	
D3407	1SS355	DIODE	
R3302	NRSA02J-0R0X	MG RESISTOR	0Ω,1/10W
R3313	NRSA02J-0R0X	MG RESISTOR	0Ω,1/10W
R3321	NRSA02J-0R0X	MG RESISTOR	0Ω,1/10W
R3322	NRSA02J-0R0X	MG RESISTOR	0Ω,1/10W
R3323	NRSA02J-0R0X	MG RESISTOR	0Ω,1/10W
R3326	NRSA02J-102X	MG RESISTOR	1kΩ,1/10W
R3328	NRSA02J-0R0X	MG RESISTOR	0Ω,1/10W
R3329	NRSA02J-0R0X	MG RESISTOR	0Ω,1/10W
R3330	NRSA02J-0R0X	MG RESISTOR	0Ω,1/10W
R3331	NRSA02J-223X	MG RESISTOR	22kΩ,1/10W
R3332	NRSA02J-223X	MG RESISTOR	22kΩ,1/10W
R3333	NRSA02J-102X	MG RESISTOR	1kΩ,1/10W
R3339	NRSA02J-102X	MG RESISTOR	1kΩ,1/10W
R3340	NRSA02J-102X	MG RESISTOR	1kΩ,1/10W
R3342	NRSA02J-0R0X	MG RESISTOR	0Ω,1/10W
R3343	NRSA02J-0R0X	MG RESISTOR	0Ω,1/10W
R3345	NRSA02J-0R0X	MG RESISTOR	0Ω,1/10W
R3346	NRSA02J-0R0X	MG RESISTOR	0Ω,1/10W
R3347	NRSA02J-0R0X	MG RESISTOR	0Ω,1/10W
R3348	NRSA02J-0R0X	MG RESISTOR	0Ω,1/10W
R3349	NRSA02J-0R0X	MG RESISTOR	0Ω,1/10W
R3350	NRSA02J-0R0X	MG RESISTOR	0Ω,1/10W
R3351	NRSA02J-0R0X	MG RESISTOR	0Ω,1/10W
R3352	NRSA02J-0R0X	MG RESISTOR	0Ω,1/10W
R3371	NRSA02J-0R0X	MG RESISTOR	0Ω,1/10W
R3372	NRSA02J-0R0X	MG RESISTOR	0Ω,1/10W
R3373	NRSA02J-0R0X	MG RESISTOR	0Ω,1/10W
R3386	NRSA02J-103X	MG RESISTOR	10kΩ,1/10W
R3401	NRSA02J-0R0X	MG RESISTOR	0Ω,1/10W
R3402	NRSA02J-0R0X	MG RESISTOR	0Ω,1/10W
R3403	NRSA02J-0R0X	MG RESISTOR	0Ω,1/10W
R3404	NRSA02J-0R0X	MG RESISTOR	0Ω,1/10W
R3412	NRSA02J-0R0X	MG RESISTOR	0Ω,1/10W
R3414	NRSA02J-0R0X	MG RESISTOR	0Ω,1/10W
R3415	NRSA02J-0R0X	MG RESISTOR	0Ω,1/10W
R3422	NRSA02J-0R0X	MG RESISTOR	0Ω,1/10W
R3432	NRSA02J-0R0X	MG RESISTOR	0Ω,1/10W

REF No. PART No. PART NAME, DESCRIPTION

R3452	NRSA02J-223X	MG RESISTOR	22kΩ,1/10W
R3462	NRSA02J-103X	MG RESISTOR	10kΩ,1/10W
R3463	NRSA02J-223X	MG RESISTOR	22kΩ,1/10W
R3464	NRSA02J-223X	MG RESISTOR	22kΩ,1/10W
R3465	NRSA02J-472X	MG RESISTOR	4.7kΩ,1/10W
R3466	NRSA02J-0R0X	MG RESISTOR	0Ω,1/10W
R3468	NRSA02J-103X	MG RESISTOR	10kΩ,1/10W
R3472	NRSA02J-472X	MG RESISTOR	4.7kΩ,1/10W
R3475	NRSA02J-103X	MG RESISTOR	10kΩ,1/10W
C3312	NDC21HJ-120X	CAPACITOR	12pF,50V
C3313	NDC21HJ-120X	CAPACITOR	12pF,50V
C3314	NCB21EK-104X	CAPACITOR	0.1μF,25V
C3321	NDC21HJ-220X	CAPACITOR	22pF,50V
C3322	NDC21HJ-220X	CAPACITOR	22pF,50V
C3323	NDC21HJ-220X	CAPACITOR	22pF,50V
C3333	NCB21EK-104X	CAPACITOR	0.1μF,25V
C3345	NDC21HJ-220X	CAPACITOR	22pF,50V
C3346	NDC21HJ-220X	CAPACITOR	22pF,50V
C3347	NDC21HJ-220X	CAPACITOR	22pF,50V
C3401	QEKJ0JM-226	E CAPACITOR	22μF,6.3V
C3402	NCB21EK-104X	CAPACITOR	0.1μF,25V
C3403	NCB21EK-104X	CAPACITOR	0.1μF,25V
C3404	NCB21EK-104X	CAPACITOR	0.1μF,25V
C3405	NCB21EK-104X	CAPACITOR	0.1μF,25V
C3414	NCB21EK-104X	CAPACITOR	0.1μF,25V
X3301	QAX0584-001	CRYSTAL RESONATOR	
BK1	LP40425-001A	BRACKET(BOARD)	
CN3401	QGG2502K1-13	HEADER PIN	
CN3402	QGF1207F1-08	FPC CONNECTOR,(1-8)TERMINAL	

**NAVIGATION BOARD ASSEMBLY <19>
 [LPB10108-002*]**

PW1	LPA10108-11A	NAVIGATION BOARD ASSY	
IC3301	MN101C12GCG	IC	
	or MN101C49HCG	IC	
	or MN101CP12GAFCG	IC	
	or MN101CP49KAFCG	IC	
IC3401	74HC4053D	IC	
IC3402	74HC4053D	IC	
IC3403	AT45DB011-SC-X	IC	
IC3405	TC7W241FU	IC(DIGITAL)	
IC3406	TC7W241FU	IC(DIGITAL)	
IC3408	SN74LV08APW	IC	
IC3409	TC7WT125FU	IC(DIGITAL)	
Q3403	2SD1450/ST/-T	TRANSISTOR	
D3401	RB751V-40-X	SB DIODE	
D3402	RB751V-40-X	SB DIODE	
D3407	1SS355	DIODE	
D3408	RD3.6ES/B2/-T2	ZENER DIODE	
	or MTZJ3.6B	ZENER DIODE	
R3302	NRSA02J-0R0X	MG RESISTOR	0Ω,1/10W
R3313	NRSA02J-0R0X	MG RESISTOR	0Ω,1/10W
R3321	NRSA02J-0R0X	MG RESISTOR	0Ω,1/10W
R3322	NRSA02J-0R0X	MG RESISTOR	0Ω,1/10W
R3323	NRSA02J-0R0X	MG RESISTOR	0Ω,1/10W
R3326	NRSA02J-102X	MG RESISTOR	1kΩ,1/10W
R3328	NRSA02J-0R0X	MG RESISTOR	0Ω,1/10W

#	△ REF No.	PART No.	PART NAME, DESCRIPTION
R3329		NRSA02J-0R0X	MG RESISTOR 0Ω,1/10W
R3330		NRSA02J-0R0X	MG RESISTOR 0Ω,1/10W
R3331		NRSA02J-223X	MG RESISTOR 22kΩ,1/10W
R3332		NRSA02J-223X	MG RESISTOR 22kΩ,1/10W
R3333		NRSA02J-331X	MG RESISTOR 330Ω,1/10W
R3339		NRSA02J-102X	MG RESISTOR 1kΩ,1/10W
R3340		NRSA02J-102X	MG RESISTOR 1kΩ,1/10W
R3342		NRSA02J-0R0X	MG RESISTOR 0Ω,1/10W
R3343		NRSA02J-0R0X	MG RESISTOR 0Ω,1/10W
R3345		NRSA02J-0R0X	MG RESISTOR 0Ω,1/10W
R3346		NRSA02J-0R0X	MG RESISTOR 0Ω,1/10W
R3347		NRSA02J-0R0X	MG RESISTOR 0Ω,1/10W
R3348		NRSA02J-0R0X	MG RESISTOR 0Ω,1/10W
R3349		NRSA02J-0R0X	MG RESISTOR 0Ω,1/10W
R3350		NRSA02J-0R0X	MG RESISTOR 0Ω,1/10W
R3351		NRSA02J-0R0X	MG RESISTOR 0Ω,1/10W
R3352		NRSA02J-0R0X	MG RESISTOR 0Ω,1/10W
R3371		NRSA02J-0R0X	MG RESISTOR 0Ω,1/10W
R3372		NRSA02J-0R0X	MG RESISTOR 0Ω,1/10W
R3373		NRSA02J-0R0X	MG RESISTOR 0Ω,1/10W
R3386		NRSA02J-103X	MG RESISTOR 10kΩ,1/10W
R3401		NRSA02J-0R0X	MG RESISTOR 0Ω,1/10W
R3402		NRSA02J-0R0X	MG RESISTOR 0Ω,1/10W
R3403		NRSA02J-0R0X	MG RESISTOR 0Ω,1/10W
R3404		NRSA02J-0R0X	MG RESISTOR 0Ω,1/10W
R3412		NRSA02J-0R0X	MG RESISTOR 0Ω,1/10W
R3414		NRSA02J-0R0X	MG RESISTOR 0Ω,1/10W
R3415		NRSA02J-0R0X	MG RESISTOR 0Ω,1/10W
R3422		NRSA02J-0R0X	MG RESISTOR 0Ω,1/10W
R3432		NRSA02J-0R0X	MG RESISTOR 0Ω,1/10W
R3462		NRSA02J-103X	MG RESISTOR 10kΩ,1/10W
R3465		NRSA02J-472X	MG RESISTOR 4.7kΩ,1/10W
R3466		NRSA02J-0R0X	MG RESISTOR 0Ω,1/10W
R3468		NRSA02J-103X	MG RESISTOR 10kΩ,1/10W
R3472		NRSA02J-472X	MG RESISTOR 4.7kΩ,1/10W
R3475		NRSA02J-103X	MG RESISTOR 10kΩ,1/10W
R3476		NRSA02J-101X	MG RESISTOR 100Ω,1/10W
R3477		NRSA02J-271X	MG RESISTOR 270Ω,1/10W
C3312		NDC21HJ-120X	CAPACITOR 12pF,50V
C3313		NDC21HJ-120X	CAPACITOR 12pF,50V
C3314		NCB21EK-104X	CAPACITOR 0.1μF,25V
C3321		NDC21HJ-220X	CAPACITOR 22pF,50V
C3322		NDC21HJ-220X	CAPACITOR 22pF,50V
C3323		NDC21HJ-220X	CAPACITOR 22pF,50V
C3333		NRSA02J-472X	MG RESISTOR 4.7kΩ,1/10W
C3345		NDC21HJ-220X	CAPACITOR 22pF,50V
C3346		NDC21HJ-220X	CAPACITOR 22pF,50V
C3347		NDC21HJ-220X	CAPACITOR 22pF,50V
C3401		QEKJ0JM-226	E CAPACITOR 22μF,6.3V
C3402		NCB21EK-104X	CAPACITOR 0.1μF,25V
C3403		NCB21EK-104X	CAPACITOR 0.1μF,25V
C3404		NCB21EK-104X	CAPACITOR 0.1μF,25V
C3405		NCB21EK-104X	CAPACITOR 0.1μF,25V
C3414		NCB21EK-104X	CAPACITOR 0.1μF,25V
C3416		NCB21EK-104X	CAPACITOR 0.1μF,25V
C3417		NCB21EK-104X	CAPACITOR 0.1μF,25V
C3419		NCB21HK-103X	CAPACITOR 0.01μF,50V
X3301		QAX0584-001	CRYSTAL RESONATOR
BK1		LP40425-001A	BRACKET(BOARD)
CN3401		QGG2502K1-13	HEADER PIN,(1-13)MAIN
CN3402		QGF1207F1-08	FPC CONNECTOR,(1-8)TERMINAL

#	△ REF No.	PART No.	PART NAME, DESCRIPTION

DISPLAY BOARD ASSEMBLY <28>			
PW1		LPA10054-18A1	DISPLAY BOARD ASSY
IC7001		M35500BGP	IC
		or M35500AGP	IC
		or M35500BFP	IC
IC7002		PNA4652M00XB	IR DETECT UNIT
		or GP1U281X	IR DETECT UNIT
D7002		RD9.1ES/B2/-T2	ZENER DIODE
		or MTZJ9.1B	ZENER DIODE
		or UZ9.1BSB	ZENER DIODE
D7005		1SS133	DIODE
D7010		SLR-342VC3F	LE DIODE
R7001		QRE141J-471Y	RESISTOR 470Ω,1/4W
R7002		QRE141J-471Y	RESISTOR 470Ω,1/4W
R7003		QRE141J-471Y	RESISTOR 470Ω,1/4W
R7004		QRE141J-471Y	RESISTOR 470Ω,1/4W
R7005		QRE141J-103Y	RESISTOR 10kΩ,1/4W
R7006		QRE141J-103Y	RESISTOR 10kΩ,1/4W
R7007		QRE141J-103Y	RESISTOR 10kΩ,1/4W
R7008		QRE141J-103Y	RESISTOR 10kΩ,1/4W
R7013		QRE141J-103Y	RESISTOR 10kΩ,1/4W
R7020		QRE141J-103Y	RESISTOR 10kΩ,1/4W
R7021		QRE141J-122Y	RESISTOR 1.2kΩ,1/4W
R7022		QRE141J-182Y	RESISTOR 1.8kΩ,1/4W
R7023		QRE141J-222Y	RESISTOR 2.2kΩ,1/4W
R7024		QRE141J-272Y	RESISTOR 2.7kΩ,1/4W
R7025		QRE141J-472Y	RESISTOR 4.7kΩ,1/4W
R7026		QRE141J-682Y	RESISTOR 6.8kΩ,1/4W
R7027		QRE141J-153Y	RESISTOR 15kΩ,1/4W
R7028		QRE141J-393Y	RESISTOR 39kΩ,1/4W
R7030		QRE141J-103Y	RESISTOR 10kΩ,1/4W
R7031		QRE141J-122Y	RESISTOR 1.2kΩ,1/4W
R7032		QRE141J-182Y	RESISTOR 1.8kΩ,1/4W
R7033		QRE141J-222Y	RESISTOR 2.2kΩ,1/4W
R7034		QRE141J-272Y	RESISTOR 2.7kΩ,1/4W
R7035		QRE141J-472Y	RESISTOR 4.7kΩ,1/4W
R7036		QRE141J-682Y	RESISTOR 6.8kΩ,1/4W
R7037		QRE141J-153Y	RESISTOR 15kΩ,1/4W
R7038		QRE141J-393Y	RESISTOR 39kΩ,1/4W
R7041		QRE141J-331Y	RESISTOR 330Ω,1/4W
C7001		QCFB1HZ-104	CAPACITOR 0.1μF,50V
C7002		QETN1HM-106	E CAPACITOR 10μF,50V
C7007		QETN1HM-476	E CAPACITOR 47μF,50V
C7009		QCSB1HJ-150	CAPACITOR 15pF,50V
C7010		QCFB1HZ-104	CAPACITOR 0.1μF,50V
C7011		QETN1AM-227	E CAPACITOR 220μF,10V
C7019		QDVB1EZ-223Y	CAPACITOR 0.022μF,25V
C7192		QCB1HJ-681	CAPACITOR 680pF,50V
C7194		QCB1HJ-681	CAPACITOR 680pF,50V
L7191		QRE141J-101Y	RESISTOR 100Ω,1/4W
L7192		QRE141J-101Y	RESISTOR 100Ω,1/4W
L7196		QQL231J-1R0Y	COIL 1μH
S7001		QSW0456-002Z	TACT SWITCH,STAND BY
S7002		QSW0456-002Z	TACT SWITCH,CH+
S7003		QSW0456-002Z	TACT SWITCH,CH-
S7004		QSW0456-002Z	TACT SWITCH,REC
S7005		QSW0456-002Z	TACT SWITCH,PAUSE
S7010		QSW0456-002Z	TACT SWITCH,TIMER

#	△ REF No.	PART No.	PART NAME, DESCRIPTION
S7011		QSW0456-002Z	TACT SWITCH,SP/LP/EP
S7012		QSW0456-002Z	TACT SWITCH,SYNC.EDIT
S7013		QSW0456-002Z	TACT SWITCH,SAT CTL
S7014		QSW0456-002Z	TACT SWITCH,STOP/EJECT
S7015		QSW0456-002Z	TACT SWITCH,PLAY
S7016		QSW0456-002Z	TACT SWITCH,INSERT
S7017		QSW0456-002Z	TACT SWITCH,A.DUB
DI7001		QLF0032-002	FL TUBE
HD1		PQ34668	FDP HOLDER(L),DI7001
HD2		PQ34669	FDP HOLDER(R),DI7001
HD4		PQM30038-7	LED HOLDER,D7010
J7191		PEMC1009-04	PIN JACK,VIDEO IN
J7192		PEMC1010-03	PIN JACK(SW),AUDIO(L)IN
J7193		PEMC1010-02	PIN JACK(SW),AUDIO(R)IN
CN7001		QGF1207C1-14	FPC CONNECTOR,(1-14)MAIN
CN7191		QGF1207C1-05	FPC CONNECTOR,(3-7)MAIN

REC SAFETY BOARD ASSEMBLY <32>

PW2	LPA10054-01C2	REC SAFETY BOARD ASSY
S7041	QSW0602-004	PUSH SWITCH
FW7001	QUM032-07A4A4	PARA RIBON WIRE

JOG BOARD ASSEMBLY <37>

PW3	LPA10054-03C3	JOG BOARD ASSY
UN7091	PEME0786-02	JOG SHUTTLE ASSY
CN7005	QGF1207F1-06	FPC CONNECTOR,(1-6)MAIN

AUDIO ERASE BOARD ASSEMBLY <46>

PW2	LPA10106-03A2	AUDIO ERASE BOARD ASSY	
Q2051	2SC4081/QRS/-X	TRANSISTOR	
	or 2SD1819A/QRS/-X	TRANSISTOR	
	or 2PC4081/R/-X	TRANSISTOR	
R2054	NRSA02J-153X	MG RESISTOR	15kΩ,1/10W
R2055	NRSA02J-3R3X	MG RESISTOR	3.3Ω,1/10W
C2052	QFLC1HJ-333Z	F CAPACITOR	0.033μF,50V
C2053	NCB21HK-332X	CAPACITOR	0.0033μF,50V
C2054	NCB21HK-103X	CAPACITOR	0.01μF,50V
C2055	QEKJ1CM-106	E CAPACITOR	10μF,16V
T2051	PELN0860	OSC TRANSFORMER	
CN2052	QGB2024J1-04S	CONNECTOR	

#	△ REF No.	PART No.	PART NAME, DESCRIPTION

LOADING MOTOR BOARD ASSEMBLY <55>

PW2	LPA10010-01A2	LOADING MOTOR BOARD ASSY
CN1	QGB2533K1-02	CONNECTOR

CNR BOARD ASSEMBLY <89>

PW1	LPA10068-01B	CNR BOARD ASSY	
IC801	TA1225N	IC	
R801	NRSA02J-102X	MG RESISTOR	1kΩ,1/10W
R803	NRSA02J-821X	MG RESISTOR	820Ω,1/10W
R805	NRSA02J-0R0X	MG RESISTOR	0Ω,1/10W
C801	NBE20JM-475X	T CAPACITOR	4.7μF,6.3V
C802	NCB21AK-105X	CAPACITOR	1μF,10V
C803	NDC21HJ-820X	CAPACITOR	82pF,50V
C804	NCB21HK-103X	CAPACITOR	0.01μF,50V
C805	NCB21EK-104X	CAPACITOR	0.1μF,25V
C806	NCB21EK-104X	CAPACITOR	0.1μF,25V
C807	NCB21HK-103X	CAPACITOR	0.01μF,50V
C808	NCB21HK-103X	CAPACITOR	0.01μF,50V
C809	NCB21HK-472X	CAPACITOR	0.0047μF,50V
C810	NCB21EK-104X	CAPACITOR	0.1μF,25V
C811	NCB21HK-103X	CAPACITOR	0.01μF,50V
C812	NCB21HK-103X	CAPACITOR	0.01μF,50V
C813	NCB21EK-104X	CAPACITOR	0.1μF,25V
C814	NCB21HK-103X	CAPACITOR	0.01μF,50V
C815	NCB21HK-103X	CAPACITOR	0.01μF,50V
C816	NRSA02J-0R0X	MG RESISTOR	0Ω,1/10W
L801	QQL071J-330Y	COIL	33μH
OT1	PU60010	SPACER	
SD1	LP40562-001B	SHIELD CASE(CNR)	
CN801	QGG2509M1-05	HEADER PIN	
CN802	QGG2509M1-06	HEADER PIN	